

# FARM-FLEET



**2024**

**AGRICULTURE | COMMERCIAL  
CONSTRUCTION | FORESTRY  
LANDSCAPING | ROCK EQUIPMENT**

# INDEX

Aerators - Overseeder . . .	35-36	Hay Handling . . . . .	116-121
Aerators - Core . . . . .	38, 63-64	Hay Rakes . . . . .	112-115
Aerators - Spike . . . . .	63-64	Hiller / Ripper . . . . .	125
ATV Carts . . . . .	56-57	Hydraulic Top Link . . . . .	149
ATV Disc . . . . .	94	Land Plane . . . . .	44
ATV Landscape Rake . . . . .	94	Landscape Rakes . . . . .	43, 54-55
ATV/UTV Sprayers . . . . .	86-87	Lawn Rollers . . . . .	65
ATV Spreader . . . . .	73-74	Lawn Sweepers . . . . .	59-61
Bale Forks, Spears & Huggers . . . . .	116-121	Lawn Vacuum . . . . .	62
Box Scrapers . . . . .	48-53	Loader Adapter Brackets . . . . .	148
Brooms . . . . .	150-151	Log Holder . . . . .	102
Canopies . . . . .	144-145	Logging Winches . . . . .	100-101
Carts . . . . .	56-57	Manure Forks . . . . .	110
Cement Mixers . . . . .	136-137	Mini-Excavator . . . . .	91-93
Chain Harrows . . . . .	96	Mixers - Cement . . . . .	136-137
Concrete Breaker . . . . .	133	Mixers - All Purpose . . . . .	137
Core Aerators . . . . .	38, 65-66	Moldboard Plow . . . . .	122
Cultivator . . . . .	140	No-Till Drill . . . . .	37
De-Thatcher . . . . .	58,63	Offset Discs . . . . .	142-143
Disc Harrows . . . . .	141-143	Overseeders . . . . .	35-36
Engine Driven Mowers . . . . .	17-18	Pallet Forks . . . . .	111,149
Engine Driven Cutters . . . . .	6-7	Poly 3PT Spreaders . . . . .	79-80
Estate Sprayers - Tow . . . . .	88	Post Driver . . . . .	131-132, 134-135
Excavator . . . . .	91-93	Post Hole Diggers . . . . .	126-130
Fertilizer Spreaders . . . . .	65-85	Post Hole Diggers - Hydraulic . . . . . .	128-130
Finishing Mower . . . . .	17-22	Post Hole Diggers - PTO . . . . . . . . . .	126-127
Flail Mower . . . . .	26-27	Post Puller . . . . .	97
Flail Shredder . . . . .	28	Potato Planter . . . . .	123
Flex Mower . . . . .	24-25	Powered Landscape Rake . . . . . . . . . .	54-55
Furrower . . . . .	123-124	Pulverizers . . . . .	34
GPS . . . . .	95	Quick Hitches . . . . .	146
Grader Blade . . . . .	42	Rakes - Hay . . . . .	112-115
Grapples . . . . .	104-109		
Harrows . . . . .	96, 141-143		



# INDEX

Rakes - Landscape . . .	43,54-55
Rollers . . . . .	65
Rotary Broom . . . . .	150-151
Rotary Cutters . . . . .	6-14
Rotary Tillers . . . . .	29-33
Scraper Blades . . . . .	39-41
Seeders . . . . .	35-36
Sickle Bar Mower . . . . .	15-16
Smart Link System . . . . .	63
Snow Pusher & Blades . . . . .	45-47
Spiker - Aerator . . . . .	63-64
Sprayers . . . . .	86-90
Spreaders . . . . .	65-85
Stump Grinder . . . . .	103
Sub-Soilers . . . . .	124
Sweepers . . . . .	59-61
Tillers . . . . .	29-33
Top Link Cylinders . . . . .	149
Tractor Canopies . . . . .	144-145
Trailer Movers . . . . .	149
Tree Cutter . . . . .	14
Tree Puller . . . . .	97
Tree Saw . . . . .	98-99
Vacuum . . . . .	62
Weld On Attachment Brackets . . . . .	147
Winches . . . . .	100-101
Wire Winder & Unroller . . . . .	138



Farm-Fleet reserves the right to correct printing errors, limit quantities or make merchandise substitutions. Pictures are representative only and may vary from actual product. Prices are subject to change without notice. Prices may be subject to additional freight and set-up charges. Not all products are stocked at all locations. F.O.B. St.Marys, Ontario unless otherwise stated.



Aerators - Core . . . . .	63-64
Aerators - Spike . . . . .	63-64
Carts . . . . .	56-57
De-Thatcher . . . . .	58,63
Fertilizer Spreaders . . . . .	66-72
Ice Melt Spreaders . . . . .	70
Lawn Rollers . . . . .	65
Lawn Sweepers . . . . .	59-61
Lawn Vac . . . . .	62
Rollers . . . . .	65
Smart Link - Attachments . . . . .	63
Spreaders . . . . .	66-72
Sweepers . . . . .	59-61
Tractor Carts . . . . .	56-57
Vacuums . . . . .	62



# TABLE OF CONTENTS



[www.amazone.de](http://www.amazone.de)

Spreaders . . . . . 82-85

## BARE-Co

[www.bare-co.com](http://www.bare-co.com)

Tractor Canopies . . . . . 144-145



[www.befco.com](http://www.befco.com)

Aerator/Overseeder Green Rite . . . . . 35-36

Baby Hop Ground Driven . . . . . 77

Core Aerators . . . . . 38

Finishing Mowers . . . . .

Engine Driven Finish Mower . 18

C30 Series . . . . . 20

C50 Series . . . . . 21

C70 Series . . . . . 22

Flex Mowers . . . . . 24-25

Flail Mowers . . . . .

H40S Series, Hurricane . . . . . 26

H70 Series, Hurricane . . . . . 27

Flail Shredder . . . . . 28

Hay rakes . . . . . 112

Overseeders . . . . . 35-36

Rotary Tillers . . . . .

T30 Series . . . . . 29

T40 Series . . . . . 30

T50 Series . . . . . 31

T60 Series . . . . . 32

T70 Series . . . . . 33

Sickle Bar Mower . . . . . 16

Soil Pulverizers . . . . . 34

Spreaders . . . . . 78,80

Turbo Hop Spreader . . . . . 80



[www.brownmanufacturing.com](http://www.brownmanufacturing.com)

Rotary Cutters HD . . . . . 12-13

Rotary Cutters Tree Cutter . . . . . 14

Tree Saw . . . . . 98-99



[www.danuser.com](http://www.danuser.com)

Grapple and Pallet Forks . . . . . 107

Hammer Concrete Breaker . . . 133

Mega Mixer . . . . . 137

Post Driver . . . . . 131-132

Post Hole Diggers - Hydraulic . . . 128-130

Tree / Post Puller . . . . . 97

Wire Winder & Unroller . . . . . 138



Sickle Bar Mower . . . . . 15

Rakes . . . . . 113-114

## FIELDKING

Rotary Cutters . . . . . 8

Cultivator . . . . . 140



[www.fimcoindustries.com](http://www.fimcoindustries.com)

Sprayers . . . . . 86-90

ATV Spreader . . . . . 74

Spreaders - Broadcast . . . . . 75



Mini Excavator . . . . . 91-93



[www.fransgard.dk](http://www.fransgard.dk)

Accessories - Winch . . . . . 99

Logging Winches . . . . . 98

Hay Rakes Combi . . . . . 115

## Hackett Harrows

Chain Harrows . . . . . 96

# TABLE OF CONTENTS



Box Scraper .....	48
Landscape Rakes.....	43
Moldboard Plows .....	122
Rotary Cutter .....	9-11
Scraper Blades.....	39-40



[www.patchworkgps.com](http://www.patchworkgps.com)

GPS .....	95
-----------	----

## Potato Planter

Potato Planter.....	123
---------------------	-----



Quick Hitches .....	146
---------------------	-----



Finishing Mower Eng.Driven ..	17
Rotary Cutter Eng. Driven .....	6-7
Spreader ATV,UTV or Truck....	75



Furrower .....	124
Finishing Mower .....	19
Hiller / Ripper .....	125
No-Till Drill .....	37
Pallet Forks, 3PH .....	149
Quick Hitches .....	146
Spreaders.....	77,79,81
Spreader - Side Shot .....	81
Trailer Movers.....	149



**TIMBER CROC**

Log Holder .....	102
------------------	-----



[www.monroetufline.com](http://www.monroetufline.com)

ATV .....	
Discs Harrows.....	94
Landscape Rake .....	94
3 Pt. Box Scraper H.D.....	49-53
Pull Type Box Scraper .....	53
Land Plane .....	44
Offset Discs "42 Series" ..	142-143
Scraper Blades.....	41
THE Series Disc Harrows ..	141



[www.worksaver.com](http://www.worksaver.com)

Bale Forks & Spears .....	116-121
Cement Mixers .....	136
Grader Blade - Skid Steer .....	42
Grapples .....	104-106,108-109
Hay Handling Attachments	116-121
Hydraulic Top Link .....	149
Landscape Rakes.....	43,54-55
Loader Adapter Brackets .....	148
Manure Forks .....	110
Pallet Forks .....	111
Post Drivers 3Pt. & Skid Steer ..	134-135
Powered Landscape Rake ..	54-55
Post Hole Diggers .....	126-127
Rotary Broom .....	150-151
Snow Blades .....	46-47
Snow Pusher .....	45
Stump Grinder .....	103
Weld On Attachment Brackets	147

# ROTARY CUTTER

## Engine Driven

## Walk Behind



Swisher's 24" walk-behind rough-cut mower is perfect for cutting trails through the woods and clearing fields and ditches year-round. It will clear the densest undergrowth and saplings up to 1-1/2 inches in diameter. This self-propelled walk-behind features an 11-1/2-HP Briggs & Stratton engine and a heavy-duty fabricated cutting deck with a 4" fixed cutting height. The single, fixed hardened-steel blade zips through brush and saplings with ease, and the blade is enclosed for maximum safety. Handlebar mounted controls are easily accessed for total control and safety. The adjustable height handlebar eases operator control. Two heavy duty front casters remove the unit weight off the operator and improve stability and ease of use. Large pneumatic chevron tires roll easily over the roughest terrain for excellent traction in all conditions. The four-speed transmission is great for setting a comfortable pace, and a reverse mode is handy for backing out of rough spots. Front and side safety deflectors protect against flying debris while the wire shield protects electrical components.

- \* 11.5 HP Briggs and Stratton recoil start engine
- \* 24" self-propelled walk-behind rough cut mower
- \* Single fixed hardened steel, rough cut blade
- \* 4" fixed cutting height
- \* 4-Speed transmission with reverse
- \* Front safety deflectors and wire shield
- \* Operator presence blade engagement and drive control
- \* Adjustable height handlebar with hand controls
- \* Large pneumatic chevron tread tires
- \* 2 Heavy duty front casters

MODEL	DESCRIPTION	WEIGHT	LIST PRICE
WRC11524BSC	11.5 HP, 24" walk behind Rotary Cutter	383 lbs.	\$6899

# ROTARY CUTTER

## Engine Driven

### Pull Type



SWISHER rough cut Trailcutter is perfect for any big mowing job. Backed by the power of 60 + years of design experience, this mower is designed to dramatically reduce mowing time. The SWISHER Trailcutter easily attaches to your ATV, UTV or lawn tractor. This model will cut saplings up to 3" in diameter and thick brush with two heavy duty swinging blades. A convenient single point cutting height adjustment has a 3" to 7" range. The remote control operator console lets you safely engage and disengage the mower blades from your ATV or tractor seat.

- \* 14.5HP Kawasaki v-twin electric start engine
- \* Offsets, left/right/center articulating
- \* Two 16" pneumatic tires
- \* Two H.D. hardened steel swinging blades
- \* Up to 3" sapling cutting diameter
- \* 2.5 US gallon fuel capacity
- \* 2" trailer hitch ball coupler
- \* 12V electric start
- \* Remote Operator Control Console
- \* 12V battery EXTRA (not included)
- \* Top link height adjustment and deck leveling
- \* 5 possible offset positions

MODEL	DESCRIPTION	WEIGHT	LIST PRICE
RC14544CPKA	44", 14.5 HP Kawasaki Commercial Pro Engine Electric start, 2 wheel	400 lbs.	\$8399

# ROTARY CUTTERS

## 3 Pt. PTO

### Standard Duty

# FIELDKING



These rotary cutters are powerful enough to cope with material up to 1.5" diameter. Designed for fast application to any type of tractor with 3 point linkage. Cutting height ranges from 1" to 8". They are designed for 15 to 45 HP tractors, and come with a 540 RPM Slip Clutch PTO. Cutters also come complete with chain guards on all models.

- \* Cat-I, 3 Pt Hitch for 48" to 72" model, Cat-II for 84" model
- \* 540 RPM PTO with slip clutch standard
- \* Round pan blade carrier
- \* Scalping is minimal
- \* 3mm deck thickness (10 gauge = 2.59mm)
- \* 5mm side skid thickness (4 gauge = 5mm)
- \* Gearbox rated from 40 to 90 HP
- \* Chain guards standard

MODEL	CUTTING WIDTH	GEARBOX RATING	WEIGHT	LIST PRICE
FKRC48	4' / 48"	40 HP	538 lbs.	\$2299
FKRC60	5' / 60"	75 HP	617 lbs.	\$2799
FKRC72	6' / 72"	75 HP	725 lbs.	\$2999
FKRC84	7' / 84"	90 HP	1375 lbs.	\$4399



# ROTARY CUTTERS

## 3 Pt. PTO

### 1200 Series

### Standard Duty



These affordable rotary cutters, built by Ironcraft, are ideal for the cutting of grass, weeds and light brush up to 1.5" diameter. They are designed to work with 15 to 65 HP tractors, and are available in 48", 60", and 72" widths. This unit features an 11 ga. deck, 7" side bands, CAT I – 3 Pt Hitch, and 540 RPM shear pin PTO. Manufactured in USA.

- \* Cat I, 3 Pt hitch
- \* Series 4 Shear pin PTO shaft with PTO shielding
- \* Pan stump jumper
- \* Single 4" x 15" wheel with solid laminated rubber tire
- \* Regreaseable cast wheel hub
- \* 55 HP rated gear box
- \* 11 ga. Steel round back deck with 7" sides
- \* 1.5" cutting capacity
- \* Optional safety guard chains available

MODEL	REQUIRED PTO HP	CUTTING WIDTH	WEIGHT	LIST PRICE
1204	15 - 45	48" / 4'	538 lbs.	\$2749
1205	25 - 45	60" / 5'	596 lbs.	\$2999
1206	40 - 65	72" / 6'	726 lbs.	\$3699

The manufacturer highly recommends the use of optional safety guard chains.

#### OPTIONS:

MODEL	DESCRIPTION	LIST PRICE
CG1204	48" / 4' Safety guard chain kit	\$689
CG1205	60" / 5' Safety guard chain kit	\$819
CG1206	72" / 6' Safety guard chain kit	\$879

*Weights indicated are base machine weight, not shipping weight*

# ROTARY CUTTERS

## 3 Pt. PTO

### 1500 Series (7')

### Medium Duty



This 7' affordable rotary cutter, built by Ironcraft, is ideal for the cutting of grass, weeds and light brush up to 3" diameter. This unit features a 10 ga. deck, 8" side bands, CAT II – 3 Pt Hitch, and 540 RPM PTO with slip clutch. Manufactured in USA.

- \* HP requirements: 55 - 95
- \* Cat II, 3 Pt hitch
- \* Series 6 Slip clutch PTO shaft with PTO shielding
- \* 3/4" plate stump jumper
- \* Dual wheels with 4" x 15" solid laminted rubber tire
- \* Regreaseable cast wheel hub
- \* 150 HP rated gear box
- \* 10 ga. Steel round back deck with 8" sides
- \* Flat bar and formed channel deck reinforcing
- \* 3" cutting capacity
- \* Optional safety guard chains available

MODEL	MAXIMUM PTO HP	CUTTING WIDTH	WEIGHT	LIST PRICE
1507	90 HP	84" / 7'	1305 lbs.	\$7999

The manufacturer highly recommends the use of optional safety guard chains.

#### OPTIONS:

MODEL	DESCRIPTION	LIST PRICE
CG1507	84" / 7' Safety chain guard kit	\$1219

# ROTARY CUTTERS

3 Pt. PTO

1800 Series (8')

Heavy Duty



Shown with optional Safety Chain Guard

This 8' Heavy-Duty Dual Spindle Cutter is designed for heavy duty applications such as weeds, grass, and brush up to 3" diameter. This cutter is designed to work with 42 minimum HP tractors, with CAT I & II 3 Pt Hitch. The cutter features a 94" cutting width, and cutting height from 2" to 10". Manufactured in USA.

- \* HP requirements: 42 min. to 70 max.
- \* Cat I & II, 3 Pt hitch
- \* Series 5 Slip clutch PTO shaft with PTO shielding
- \* 5/8" plate stump jumper
- \* Dual wheels with 4" x 15" solid laminted rubber tire
- \* Regreaseable cast wheel hub
- \* 125 HP rated centre gear box
- \* 100 HP rated outboard gear boxes
- \* 10 ga. Steel deck with 8" sides
- \* 3" cutting capacity
- \* Optional safety guard chains available

MODEL	MAXIMUM PTO HP	CUTTING WIDTH	WEIGHT	LIST PRICE
1808	125 HP	94"	1250 lbs.	\$11,899

The manufacturer highly recommends the use of optional safety guard chains.

#### OPTIONS:

MODEL	DESCRIPTION	LIST PRICE
CG1708	94" Safety chain guard kit	\$1429

# ROTARY CUTTERS

## 410 SERIES

### HEAVY DUTY 3 Pt.



415



417

With over 50 years of innovative design and production, BROWN Mfg. has set the standard for heavy duty rotary cutters. The 410 series rotary cutter comes with a 130 HP rated gearbox, with limited 5 year warranty. Available in four sizes, 5', 6', 7' & 8' with a slip-clutch PTO Shaft. This heavy duty cutter is tough enough to cut heavy brush and trees up to 2" in diameter.

- \* Deck Design, round back, reinforced
- \* Deck Construction, all welded 7 gauge (3/16") steel
- \* 130 HP rated gearbox, limited 5 year warranty
- \* Cat. 5 Slip-clutch PTO shaft on 5' & 6' models
- \* Cat. 6 - 4 Disc slip-clutch PTO shaft on 7' and 8' models
- \* Laminated solid rubber tail wheels
- \* 5' & 6' single tail wheel
- \* 7' & 8' dual tail wheels
- \* 5' & 6' Cat. I/II clevis style 3 Pt. hitch
- \* 7' Cat. II, 8' Cat. II / III clevis style 3 Pt. Hitch
- \* Stump Jumper 3/16" with 1" x 5" solid bar
- \* 1/2" x 4" heat treated/up draft type blades
- \* Replaceable slides
- \* Replaceable front rubber deflector
- \* Optional chain guards available

MODEL	DESCRIPTION	WEIGHT	LIST PRICE
415	5' Rotary Cutter, Single Tail Wheel	900 lbs.	\$6599
416	6' Rotary Cutter, Single Tail Wheel	1060 lbs.	\$7799
417	7' Rotary Cutter, Dual Tail Wheel	1375 lbs.	\$10,999
418	8' Rotary Cutter, Dual Tail Wheel	2096 lbs.	\$12,899

#### OPTIONS:

MODEL	DESCRIPTION	WEIGHT	LIST PRICE
4-007	5' Front Chain Guard	53 lbs.	\$469
232-0031	5' Rear Chain Guard	21 lbs.	\$399
4-009	6' Front Chain Guard	57 lbs.	\$519
232-0030	6' Rear Chain Guard	37 lbs.	\$489
4-011	7' Front Chain Guard	67 lbs.	\$589
232-0032	7' Rear Chain Guard	42 lbs.	\$499
232-0830	8' Front Chain Guard	84 lbs.	\$699
232-0850	8' Rear Chain Guard	57 lbs.	\$619

# ROTARY CUTTERS 600 SERIES HEAVY DUTY 3 Pt.



[Click for Video](#)



Model 684 shown with dual wheels

With over 50 years of innovative design and production, BROWN Mfg. has set the standard for heavy duty rotary cutters. The 600 series rotary cutter comes with a 165 HP rated gearbox, with limited 5 year warranty. Available in two sizes, 6' and 7' with a slip-clutch PTO Shaft, this heavy duty brush cutter is tough enough to cut heavy brush and trees up to 4" in diameter.

- \* Deck Construction, all welded 1/4" thick, steel plate
- \* 165 HP rated gearbox, 1:1.5 ratio
- \* Available in 540 RPM & 1000 RPM
- \* Cat. 8 - 4 Slip-clutch PTO shaft
- \* Laminated solid rubber tail wheels 5.00 x 8
- \* Available with single or dual tail wheel
- \* Cat. II clevis style with flex link 3 Pt. hitch
- \* 1-1/4" - 6' & 1" - 7' solid blade bar
- \* 5/8" x 6" Blades(Ultra-Kor tm)
- \* Replaceable slides 5/8" x 2 1/2"
- \* Reinforced rear deflector shield
- \* Standard front safety chain guards

MODEL	DESCRIPTION	WEIGHT	LIST PRICE
672HD	6' Brush Cutter 540 RPM Single tail wheel	1600 lbs	\$15,599
672HD-1	6' Brush Cutter 1000 RPM Single tail wheel	1600 lbs	\$15,599
672HD-D	6' Brush Cutter 540 RPM Dual tail wheel	1720 lbs	\$16,599
672HD-D-1	6' Brush Cutter 1000 RPM Dual tail wheel	1720 lbs	\$16,599
684	7' Brush Cutter 540 RPM Dual tail wheel	2200 lbs	\$17,899
684-1	7' Brush Cutter 1000 RPM Dual tail wheel	2200 lbs	\$17,899

# ROTARY CUTTER TREE CUTTER

**BROWN**  
MANUFACTURING CORP.  
HEAVY DUTY SINCE 1944



TCO

[Click for Video](#)



TCF

The BROWN Mfg. 3 Pt. hitch Tree Cutter can give you the high performance and ability you expect from a machine of this quality. With either an open deck or the versatility of a folding deck unit you can cut and mulch trees, up to 8" diameter.

<b>Model Price</b>	<b>TCO-2525C</b> <b>\$18,199</b>	<b>TCO-2625C</b> <b>\$22,599</b>	<b>TCF-2625</b> <b>\$25,199</b>
Model/RPM	Open Deck 540 RPM	Open Deck 540 RPM	Folding Deck 540 RPM
<b>Model Price</b>	<b>TCO-2520C</b> <b>\$18,199</b>	<b>TCO-2620C</b> <b>\$22,599</b>	<b>TCF-2620</b> <b>\$25,199</b>
Model/RPM	Open Deck 1000 RPM	Open Deck 1000 RPM	Folding Deck 1000 RPM
<b>Cutting Width</b>	<b>60"</b>	<b>72"</b>	<b>72"</b>
<b>PTO</b>	<b>Over-running 4 Disc Slip Clutch PTO</b>		
<b>Frame</b>	<b>3 x 3 x 1/4" Tubing</b>	<b>3 x 3 x 1/4" Tubing</b>	<b>3 x 3 x 1/4" Tubing</b>
<b>Deck</b>	<b>3/16" Plate Reinforced</b>	<b>Reinforced Double 1/4" plate to 1/2" total</b>	<b>Reinforced Double 1/4" plate to 1/2" total</b>
<b>Weight</b>	<b>1,705 Lbs.</b>	<b>2,455 Lbs.</b>	<b>2,710 Lbs.</b>
<b>Rear Guard / Rear Deck</b>	<b>2 Coil springs, collapsible push bar type</b>	<b>2 Coil springs, collapsible push bar type</b>	<b>Twin folding Hydraulic rear section</b>
<b>Gear Box</b>	<b>165 HP</b>	<b>165 HP</b>	<b>165 HP</b>
<b>H.P.</b>	<b>60 to 100</b>	<b>70 to 100</b>	<b>80 to 100</b>
<b>Material Size</b>	<b>6" Maximum</b>	<b>8" Maximum</b>	<b>8" Maximum</b>

2620 Series Available with Mechanical Clutch PTO

# SICKLE BAR MOWERS



[Click for Video](#)



For tractors from 20 to 75 HP, the double action sickle bar mowers are Category I/II 3 Pt. hitch mounted. Units come with a safety breakaway bar that helps protect the cutter from obstructions in the field. Units come with a second sickle cutting knife. All units are equipped with a hydraulic lift on the cutter bar, single acting, tractor must be equipped with rear remote hydraulic couplers.

- \* HP Requirements: 20-75, 540 RPM
- \* Double action sickle bar
- \* Adjustable 3 Pt. hitch
- \* Safety release
- \* 3 Pt. linkage, Cat. 1 and 2
- \* Extra blade and chain with hook
- \* Transport blade protection
- \* Hydraulic lift system
- \* Heavy duty shielded PTO shaft (1-3/8" ASAE Cat. 4)
- \* Cuts at 90° up and 70° down
- \* Belt Driven
- \* Hydraulic Lift Cutter bar
- \* Tractor counter weight maybe required

MODEL	CUTTING WIDTH	TRACTOR HP REQ'D	WEIGHT	LIST PRICE
SBM006	6' / 72"	20 - 75	576 lbs.	\$8799
SBM007	7' / 84"	30 - 75	600 lbs.	\$8999
SBM008	8' / 96"	35 - 75	648 lbs.	\$10,399
SBM009	9' / 108"	35 - 75	731 lbs.	\$10,799

*Weights indicated are base machine weight, not shipping weight*

# SICKLE BAR MOWER

## HEAVY DUTY 3 Pt. Hitch



BEFCO'S new heavy duty sickle bar mower for 20 – 75 HP tractors has a heavier cutting bar 20mm thick with more robust guards that can handle rougher conditions. CAT.1 - 3 pt. Hitch, 540 RPM PTO shaft, comes with weight compensation spring, and a safety release latch which protects the unit from obstructions during operation. Includes a hydraulic cylinder to raise and lower cutting bar for mowing at an angle or for transport and storage. These mowers have the capabilities of mowing from 90 degrees UP to -55 degrees DOWN making it capable of handling jobs that are not recommended for conventional disc mowers.

- \* Available in 72", 84" & 96" working width
- \* For 20 – 75 HP Tractors
- \* Cat. 1 - 3 Pt. hitch
- \* 540 RPM PTO (cat. 4 Shaft)
- \* Max. working speed 9 mph/14 kmph
- \* Hydraulic (single acting ) lift, with hydraulic hose and coupler
- \* c/w extra knife/blade assembly and knife guard
- \* c/w 6 extra knife sections and 2 extra guards

MODEL	CUTTING WIDTH	LIFT TYPE	WEIGHT	LIST PRICE
BSB272	6' / 72"	Hydraulic	628 lbs.	\$13,479
BSB284	7' / 84"	Hydraulic	650 lbs.	\$13,899
BSB296	8' / 96"	Hydraulic	672 lbs.	\$15,399



# FINISHING MOWER

## Engine Driven

### Pull Type



SWISHER finish cut Trailmower is perfect for any large area of grass to be mowed. Backed by the power of 60 + years of design experience, this mower is designed to dramatically reduce mowing time. The SWISHER Trailmower easily attaches to your ATV, UTV or lawn tractor to cut large lawns or park areas. This trailmower is powered by a 14.5 HP Briggs & Stratton engine and gives your lawn a manicured look. A 60" side-discharge fabricated cutting deck cuts a wide swath and spreads the grass out to avoid choking. The true floating deck reduces scalping for professional mowing results, even on tricky terrain. This mower is equipped with a 12 volt key starter (12V battery not included). A universal articulating hitch attaches to any pin hitch system and lets the mower maneuver easily behind the towing vehicle.

- \* 14.5 HP Briggs & Stratton Engine
- \* Offset hitch, left/right/center articulating
- \* Tires four 13x5x6 pneumatic tires
- \* Three finishing cut blades
- \* Side discharge fabricated mower deck
- \* Cutting Height 1.5" – 5.5" Manual 3 point full floating deck
- \* Includes front mount anti-scalping rollers
- \* 2.5 US gallon fuel capacity
- \* Clevis/pin type hitch
- \* 12V electric start
- \* Manual PTO Clutch
- \* 12V battery not included

MODEL	DESCRIPTION	WEIGHT	LIST PRICE
FC14560BS	60", 14.5 HP B&S engine Electric start	353 lbs.	\$7499

# FINISHING MOWERS

## Engine Driven



Gas powered mowers for lawn tractors and ATV's. This three spindle finishing mower comes complete with:

- \* 11.5 HP Briggs & Stratton OHV engine with centrifugal clutch
- \* Rear discharge
- \* Spindle shafts greased from the top for easy service
- \* 4 solid rubber tires for perfectly level cut
- \* Cutting height: 1" to 4"
- \* Cat. 1 ball hitch for rear mounting and 2" receiver hitch for front mounting
- \* Semi pneumatic tires
- \* 10 gauge reinforced mower deck
- \* Heavy duty reinforced belt (BX)
- \* Heavy duty, one piece, balanced steel pulleys
- \* Safety kill switch
- \* High blade tip speed

MODEL	CUTTING WIDTH	BLADE TIP SPEED (FT/MIN)	WEIGHT	LIST PRICE
C30CE5H	60"	14,173	388 lbs.	\$7399

### OPTIONS:

MODEL	DESCRIPTION	LIST PRICE
001-600	Front antiscalping roller	\$269
005-600	Mulching kit for model C30RD5	\$799

# FINISHING MOWERS

## 3 Pt. Rear Discharge



These mowers are ideal for use with 540 RPM 15 – 30 HP tractors with Cat. I 3 Pt. hitch. These three blade finishing mowers with a rotor speed of 2630 RPM are available in 5' and 6' cutting width. These mowers are perfect for maintaining any type of grassy area, from your home estate to golf courses and park areas. These mowers are designed to easily adjust the cutting height, which can be changed by simply adjusting the spacers on the wheel yoke.

- \* Rear Discharge with rear safety chains
- \* 3" x 8" Solid Rubber Wheel/Tires
- \* Floating Style Cat. I 3 Pt. Hitch
- \* 540 RPM PTO
- \* Powder Coat Paint
- \* Deck thickness 5' - 12ga.  
6' - 10ga.
- \* 3 Blades with Greaseable Spindles
- \* Blade tip speed 5' - 14,961 ft/min.  
6' - 13,976 ft/min
- \* Double V-Belt Drive
- \* Cutting Height Adjustment 1-1/2" to 4-1/2"

MODEL	DESCRIPTION	WEIGHT	LIST PRICE
BFM105	5' / 60" cutting width mower	386 lbs.	\$2599
BFM106	6' / 72" cutting width mower	508 lbs.	\$3159

# FINISHING MOWERS

## C30 Series

### Rear Discharge



Optional front anti-scalping roller

For tractors 16 to 30 HP, 540 RPM, Category 1, 3 Pt. hitch. Rear discharge, three spindle grooming mower.

- \* Highly engineered & rugged gearbox with cooling fins
- \* Front and rear tractor mounting
- \* Four swivel 9" x 3.5" (4 ply with tubes) pneumatic tires
- \* Floating 3 Pt. linkage, Cat. 1
- \* 10 gauge reinforced mower deck
- \* 1" to 4" cutting height
- \* Spindle shafts greased from the top for easy service
- \* Heavy duty reinforced belt (BX)
- \* Heavy duty, one piece, balanced steel pulleys
- \* High blade tip speed
- \* Precise blade overlap
- \* Heavy duty shielded PTO shaft (1-3/8" ASAE Cat. 2)

MODEL	CUTTING WIDTH	TRACTOR HP REQ'D	WEIGHT	LIST PRICE
C30RD5A	60"	16 - 30	364 lbs.	\$5899
C30RD6A	72"	20 - 30	429 lbs.	\$6399

#### OPTIONS:

MODEL	DESCRIPTION	LIST PRICE
001-600	Front antiscalping roller	\$269
005-600	Mulching kit for model C30RD5	\$799
006-600	Mulching kit for model C30RD6	\$869

# FINISHING MOWERS

## C50 Series

### Rear Discharge



Floating Linkage  
on 5' & 6'

[Click for Video](#)

Optional front  
anti-scalping roller



C50RD7A  
Shown

Ideal for tractors from 20 to 50 HP. Category 1, 3 Pt. hitch, 540 RPM. These 3 spindle **BEFCO** rear discharge mowers come complete with:

- \* 1" to 5" cutting height
- \* Highly engineered & rugged gear box with cooling fins
- \* Heavy duty shielded PTO shaft (1-3/8" ASAE Cat. 3)
- \* Four height control bearingwheels
- \* Floating 3 Pt. linkage, Cat. 1
- \* Spindle shafts greased from the top for easy service
- \* Heavy duty, one piece, balanced steel pulleys
- \* Two heavy duty reinforced belts (SPBX)
- \* High blade tip speed
- \* Pneumatic tires 11" x 4" (4 ply with tube)
- \* 8 gauge reinforced mower deck
- \* Four castor wheels
- \* C50RD5 & C50RD6 mowers include standard CAT. I lower lift pins
- \* C50RD7 mower includes CAT. I clevis type lower lift pins

MODEL	CUTTING WIDTH	TRACTOR HP REQ'D	WEIGHT	LIST PRICE
C50RD5A	60"	20 - 50	534 lbs.	\$7899
C50RD6A	72"	25 - 50	584 lbs.	\$8299
C50RD7A	84"	30 - 50	674 lbs.	\$9599

#### OPTIONS:

MODEL	DESCRIPTION	LIST PRICE
009-9915	Front anti-scalping roller for 5' and 6' mowers, standard on 7' mower	\$299
005-700	Mulching kit for model C50RD5	\$839
006-700	Mulching kit for model C50RD6	\$959
007-700	Mulching kit for model C50RD7	\$1099

# FINISHING MOWERS

## C70 Series

### Rear Discharge



For tractors from 30 to 70 HP, Category 1, 3 Pt. hitch, 540 RPM. These 3 spindle **BEFCO** rear discharge mowers come complete with:

- \* Highly engineered & rugged gearbox with cooling fins
- \* Cutting height: 1.3" to 5.3"
- \* Front and rear tractor mounting
- \* Four heavy duty bearing wheels
- \* Floating 3 Pt. linkage, Cat. 1
- \* Two heavy duty reinforced belts (CX)
- \* Heavy duty shielded PTO shaft (1-3/8" ASAE Cat. 4)
- \* Six free swinging kick back blades
- \* Spindle shafts greased from the top for easy service
- \* Heavy duty, one piece, balanced steel pulleys
- \* High blade tip speed
- \* Pneumatic tires 13" x 6.5" 4 ply with tubes
- \* Front anti-scalping roller
- \* 8 gauge reinforced mower deck
- \* Optional hard tires available

MODEL	CUTTING WIDTH	TRACTOR HP REQ'D	WEIGHT	LIST PRICE
C70090A	90"	30 - 70	1137 lbs.	\$15,299
C70110A	110"	40 - 70	1290 lbs.	\$17,999



# FLEX MOWERS

## Pull Type Cyclone Flex



[Click for Video](#)

For tractors from 25 - 80 HP  
For technical specifications on individual mower decks  
see page 23 (C50 Mowers)

- \* HP Requirements: 25-80, 540 RPM
- \* Heavy duty transport frame
- \* Cutting height: 1" to 5"
- \* Pull type mower with high flotation transport tires (20.5" x 8"x10")
- \* Single action hydraulic folding wing system for easy transport and storage
- \* Transport width 7' 10" max.
- \* CV driveline with slip clutch (1-3/8" ASAE Cat. 6)
- \* Deck overlap adjustment 6"
- \* Three front anti-scalping rollers standard
- \* Safety chain shield standard
- \* Remote safety locks for transporting
- \* Each mower deck has four 11" x 4" (4 ply pneumatic tires & tubes)
- \* Optional hard tire available for mower decks. Specify at time of order.

MODEL	CUTTING WIDTH	UNIT MAKE UP	WEIGHT	LIST PRICE
312FLXA	12'	(2) 4ft & (1) 5ft	2694 lbs.	\$42,299
315FLXA	15'	(2) 5ft & (1) 6ft	2826 lbs.	\$46,199
317FLXA	17'	(3) 6ft	2947 lbs.	\$48,199

### OPTIONS:

MODEL	DESCRIPTION	LIST PRICE
009-9556	Mulching kit for model 312-FLX (3 units)	\$2499
009-9557	Mulching kit for model 315-FLX (3 units)	\$2699
009-9558	Mulching kit for model 317-FLX (3 units)	\$2999
009-9817	Hydraulic unlocking system	\$1299
009-9597	Floating hitch	\$599



# FLEX MOWERS

## Super-Flex Pull Type



[Click for Video](#)

For tractors from 35 - 80 HP  
For technical specifications on individual mower decks  
see page 23 (C50 Mowers)

- \* HP Requirements: 35-80, 540 RPM
- \* Extra heavy duty transport frame
- \* 1" to 5" cutting height
- \* Pull type mower with high flotation transport tires (23" x 10.5" x 12")
- \* Single action hydraulic folding wing system for easy transport and storage
- \* Three front anti-scalping rollers standard
- \* CV driveline with slip clutch (1-3/8" ASAE Cat. 6)
- \* Deck overlap adjustment 6"
- \* Safety chain shield standard
- \* Remote safety locks for transporting
- \* Each mower deck has four 13" x 6.5" (4 ply air tires with tubes)

MODEL	CUTTING WIDTH	UNIT MAKEUP	HP REQ'D	WEIGHT	LIST PRICE
412SFLA	12'	(2) 4ft & (1) 5ft	35 - 80	3090 lbs.	\$49,999
415SFLA	15'	(2) 5ft & (1) 6ft	40 - 80	3267 lbs.	\$52,789
417SFLA	17'	(3) 6ft	45 - 80	3438 lbs.	\$56,899
420SFLA	20'	(3) 7ft	50 - 80	3747 lbs.	\$64,749

### OPTIONS:

MODEL	DESCRIPTION	LIST PRICE
009-9556	Mulching kit for model 412-SFL (3 units)	\$2499
009-9557	Mulching kit for model 415-SFL (3 units)	\$2699
009-9558	Mulching kit for model 417-SFL (3 units)	\$2999
009-9559	Mulching kit for model 420-SFL (3 units)	\$3399
009-9817	Hydraulic unlocking system	\$1299
009-9597	Floating hitch	\$599

*Weights indicated are base machine weight, not shipping weight*

# FLAIL MOWERS

## H40-S Side Shift, Hurricane



For tractors from 16 to 40 HP, Category 1, 3 Pt. hitch, 540 RPM. All models come complete with the following:

- \* 3/4" to 2-3/8" cutting height
- \* Manual or optional hydraulic side shift up to 16"
- \* Two heavy duty reinforced notched belts (SPBX)
- \* Adjustable cutting height roller
- \* Sealed rotor bearings
- \* Front & rear tractor mounting
- \* Two pc. fine cut knives - Standard
- \* Clockwise rotation is standard
- \* Front rubber safety shielding
- \* Optional hammer type blades available in lieu of standard blades
- \*\*\*Specify at time of order

MODEL	CUTTING WIDTH	STANDARD # BLADES	WEIGHT	LIST PRICE
H40-S48	48"	48	552 lbs.	\$8199
H40-S60	60"	64	624 lbs.	\$8799
H40-S72	72"	76	697 lbs.	\$9799

### OPTIONS:

MODEL	DESCRIPTION	LIST PRICE
009-9206	Side skid shoes (pair)	\$299
009-9207	Hydraulic cylinder for side shift	\$959
HBD48H40	*Hammer type blades for model H40-048	\$1259
HBD60H40	*Hammer type blades for model H40-060	\$1559
HBD72H40	*Hammer type blades for model H40-072	\$1859
	In lieu of standard blades	
	*Specify at time of order	

# FLAIL MOWERS

## H70 Series, Hurricane



[Click for Video](#)



For tractors from 30 to 70 HP, Category 1, 3 Pt. hitch, 540 RPM. Flail mowers come complete with:

- \* 3/4" to 6" cutting height
  - \* Front & rear tractor mounting
  - \* Adjustable cutting height roller with scraper
  - \* High blade tip speed
  - \* Heavy duty shielded PTO shaft with over running clutch (1-3/8" ASAE Cat. 4).
  - \* Highly engineered & rugged gearbox
  - \* Electronically balanced rotor
  - \* Two heavy duty reinforced notched belts (CX)
  - \* Semi-automatic belt tensioner
  - \* Floating top link
  - \* Sealed rotor bearings
  - \* Fine cut (2 Pc) knives-standard
  - \* Regular cut (2 pc reversible Y) knives - Optional
  - \* Forward rotor rotation is standard
  - \* Reverse rotor rotation is optional (Extra)
  - \* Rotor RPM: 2080
  - \* Blade tip speed (ft/min): 8464
  - \* Optional hammer type blades available in lieu of standard blades
- \*\*\*Specify at time of order

MODEL	CUTTING WIDTH	OVERALL WIDTH	# BLADES	WEIGHT	LIST PRICE
H70-060	60"	71"	64	869 lbs.	\$15,049
H70-072	72"	85"	80	955 lbs.	\$16,199
H70-088	88"	99"	96	1078 lbs.	\$17,179

### OPTIONS:

MODEL	DESCRIPTION	LIST PRICE
009-9691	Gauge wheels with laminated tires (pair)	\$2239
HBD60H70	*Hammer type blades for model H70-060	\$1539
HBD72H70	*Hammer type blades for model H70-072	\$1859
HBD88H70	*Hammer type blades for model H70-088	\$2179

In lieu of standard blades  
\*Specify at time of order

# FLAIL SHREDDER

## Destroyer Series



[Click for Video](#)



New from BEFCO a heavy duty Flail shredder, with hydraulic side shift. Available in three sizes 60", 72", and 88". Comes standard with Cat. I & II rear mounted 3 Pt. hitch. Heavy duty hammer type blades that can shred material up to 2" thickness. Horse power recommended 40- 90.

- \* Cat. I & II Rear Mount 3 Pt. Hitch
- \* 540 RPM PTO with Overrunning Clutch is standard
- \* 4 Belt Driven Transmission, with Manual Belt Tensioner
- \* Hydraulic Side Shift (Offset) 12" on 60" model & 16" on 72" & 88" models
- \* Heavy Duty Hammer Type blades
- \* Rotor Diameter 133mm(5-1/4"), 8mm(1/4") thick tube
- \* Height adjustment via rear roller, with scraper
- \* Rear Roller Diameter 168mm(6-1/2"), 4.5mm(3/16") thick tube

MODEL	D90-060	D90-072	D90-088
WORKING WIDTH	60"	72"	88"
OVERALL WIDTH	69"	81"	96"
WEIGHT	1257 lbs.	1345 lbs.	1491 lbs.
# OF HAMMERS	16	20	24
HYD SIDE SHIFT	12"	16"	16"
CUTTING CAPACITY	2"	2"	2"
PRICE	\$19,159	\$20,299	\$21,399

### OPTIONS:

MODEL	DESCRIPTION	LIST PRICE
009-9969	Skid shoes (pair)	\$519

# ROTARY TILLERS

## T30 Series

### Manual Side-Shift



For tractors from 16 to 30 HP. Category 1, 3 Pt. hitch, 540 RPM PTO. T30 series tillers come complete with:

- \* HP Requirements: 16-30, 540 RPM
- \* Highly engineered and rugged gearbox with cooling fins
- \* Four blades per flange
- \* High carbon solid steel round rotor shaft allows for a deeper working depth
- \* Heavy duty full size blades
- \* Heavy duty shielded PTO shaft with shear pin coupling (1-3/8" ASAE Cat. 2)
- \* # 60 chain drive
- \* Adjustable side skirts for working depth control

MODEL	WORKING			# BLADES	WEIGHT	LIST PRICE
	WIDTH	OFFSET	# FLANGES			
T30-134	34"	6"	4	16	297 lbs.	\$4959
T30-142	42"	10"	5	20	341 lbs.	\$5089
T30-150	50"	14"	6	24	374 lbs.	\$5359

# ROTARY TILLERS

## T40 Series

### Manual Side-Shift



For tractors 20 to 40 HP. Category 1, 3 Pt. hitch, 540 RPM PTO. T40 series tillers come complete with:

- \* Highly engineered and rugged gearbox
- \* Four blades per flange
- \* Solid steel rotor shaft
- \* Adjustable side skirts for working depth control
- \* Wear protection on chain case
- \* Heavy duty full size blades
- \* Heavy duty shielded PTO shaft with slip clutch safety (1-3/8" ASAE Cat. 3)
- \* # 80 chain drive with exchangeable sprockets for 2 rotor speeds, 231/375 RPM

	WORKING					LIST
MODEL	WIDTH	OFFSET	# FLANGES	# BLADES	WEIGHT	PRICE
T40-242	42"	10"	5	20	373 lbs.	\$6299
T40-250	50"	14"	6	24	417 lbs.	\$6599
T40-258	58"	18"	7	28	461 lbs.	\$6799
T40-266	66"	22"	8	32	530 lbs.	\$7499

# ROTARY TILLERS

## T50 Series

### Manual Side-Shift



For tractors 25 to 50 HP. Category 1, 3 Pt. hitch, 540 RPM PTO. T50 series tillers come complete with:

- \* Highly engineered and rugged gearbox
- \* Six blades per flange for greater stability & finer soil pulverization
- \* Solid steel rotor shaft
- \* Heavy duty shielded PTO with shaft with slip clutch safety (1-3/8" ASAE Cat. 4)
- \* Heavy duty full size tiller blades
- \* Wear protection on chain case
- \* Adjustable side skirts for working depth control
- \* Lateral #100 Roller Chain drive transmission in oil bath
- \* Exchangeable sprockets for two rotor speeds 226/383 RPM
- \* Max. working depth 8-3/8"

	WORKING					LIST
MODEL	WIDTH	OFFSET	# FLANGES	# BLADES	WEIGHT	PRICE
T50-350	50"	14"	6	36	481 lbs.	\$7859
T50-358	58"	18"	7	42	528 lbs.	\$8139
T50-366	66"	22"	8	48	575 lbs.	\$8559

*Weights indicated are base machine weight, not shipping weight*

# ROTARY TILLERS

## T60 Series

### Manual Side-Shift



For tractors 35 to 60 HP. Category 1, 3 Pt. hitch, 540 RPM PTO. T60 series tillers come complete with:

- \* Highly engineered and rugged gearbox
- \* Six blades per flange for greater stability & finer soil pulverization
- \* Solid steel rotor shaft
- \* Heavy duty full size tiller blades
- \* Wear protection on chain case
- \* Adjustable side skids for working depth control
- \* # 100 chain drive in oil bath
- \* Heavy duty shielded PTO shaft with slip clutch safety (1-3/8" ASAE Cat.6)
- \* Max. working depth 8-3/8"

MODEL	WORKING WIDTH	OFFSET	# FLANGES	# BLADES	WEIGHT	LIST PRICE
T60-366	66"	22"	8	48	740 lbs.	\$10,669
T60-374	74"	26"	9	54	798 lbs.	\$11,099



# ROTARY TILLERS

## T70 Series



For tractors 40 to 70 HP. Category 1, 3 Pt. hitch, 540 RPM PTO. T70 series tillers come complete with:

- \* HP Requirements: 40-70, 540 RPM
- \* Heavy duty reinforced frame
- \* Six blades per flange for greater stability & finer soil pulverization
- \* Max working depth 8-3/4"
- \* Wear protection on chain case
- \* Heavy duty shielded PTO shaft with slip clutch safety (1-3/8" ASAE Cat.6)
- \* Adjustable side skids for working depth control
- \* Flanged rotor shaft for easy removal & service
- \* Solid steel rotor shaft
- \* Heavy duty gearbox
- \* # 100 chain drive transmission in oil bath

MODEL	WORKING WIDTH	OFFSET	# FLANGES	# BLADES	WEIGHT	LIST PRICE
T70-382	82"	22"	10	60	879 lbs.	\$11,699

*Weights indicated are base machine weight, not shipping weight*

# SOIL-PULVERIZERS



- \* 3/8" steel spikes fully welded in a timed scroll pattern
- \* 10" frame beam (Standard)
- \* 12" frame beam (Heavy Duty)
- \* Two rows heavy duty reversible heat treated scarifier shanks
- \* 5-9/16" dia. spiked roller tube (Standard)
- \* 6-5/8" dia. spiked roller tube (Heavy Duty)
- \* Complete with two 160 lbs. compression roller springs
- \* Optional 2nd spiked roller available with 2-80 lb. compression
- \* Reversible heat treated 1/2" x 2" shanks
- \* 4-1/2" shank penetration
- \* 3 Pt. linkage, Cat. 1
- \* Self aligning 1" bearing on roller
- \* Formed plate "A" frame
- \* Shank spacing 2-13/16"
- \* HP requirements: 25 - 50 HP for standard
- \* HP requirements: 40 - 90 HP for heavy duty

## STANDARD

MODEL	WORKING WIDTH	WEIGHT	# SHANKS	# ROLLER SPIKES	LIST PRICE
BPL048	48"	496 lbs.	17	70	\$4339
BPL060	60"	652 lbs.	21	88	\$4639
BPL072	72"	679 lbs.	25	106	\$5119

## HEAVY DUTY

MODEL	WORKING WIDTH	WEIGHT	# SHANKS	# ROLLER SPIKES	LIST PRICE
BPL284	84"	875 lbs.	29	124	\$6919

### OPTIONS:

Add-on double roller includes bracket & bearings

MODEL	DESCRIPTION	LIST PRICE
009-9887	48" x 5" dia. for BPL048	\$1189
009-9636	60" x 5" dia. for BPL060	\$1389
009-9637	72" x 5" dia. for BPL072	\$1689
009-9647	84" x 5-9/16" dia. for BLP284	\$2129

# AERATOR / OVERSEEDER

## Green-Rite



For tractors from 25 to 70 HP. Category 1, 3 Pt. hitch. 540 RPM PTO. **BEFCO** Green-Rite Overseeders/Primary seeders come complete with:

- \* **HP Requirements: 25-70, 540 RPM**
- \* **Series T40 rotary tiller base machine on 50", 58", 66" and T70 on 82"**
- \* **Special 2.8" flange spacing on rotor for aerating with 3 knives per flange on GRT250, GRT258 & GRT266**
- \* **4 knives per flange on GRT288**
- \* **Straight aerator knives**
- \* **Seed covering/dethatching adjustable tickler tines**
- \* **Seed hopper with metering cups**
- \* **Ground drive system for seed hoppers**
- \* **Corrugated depth control roller made with low weight nylon/fiberglass roller rings**
- \* **Heavy duty shielded PTO shaft with slip clutch safety**

	WORKING HOPPER		#	#		LIST
MODEL	WIDTH	CAP. CU. FT.	FLANGES	BLADES	WEIGHT	PRICE
GRT250	50"	4.60	15	43	910 lbs.	\$19,999
GRT258	58"	5.30	18	52	998 lbs.	\$20,599
GRT266	66"	6	21	61	1170 lbs.	\$23,059
GRT282	82"	7.6	26	104	1500 lbs.	\$29,759

**NOTE:** Units may utilize gauge wheels or a gauge roller for blade depth control, but not both.

### **OPTIONS:**

MODEL	DESCRIPTION	LIST PRICE
009-9875	Gauge wheels for all models	\$899
009-9648	Front roller for GRT-250	\$1439
009-9516	Front roller for GRT-258	\$1499
009-9563	Front roller for GRT-266	\$1639
009-9566	Front roller for GRT-282	\$1769
009-9649	Tiller rotor for GRT-250	\$1429
009-9517	Tiller rotor for GRT-258	\$1599
009-9564	Tiller rotor for GRT-266	\$1779
009-9567	Tiller rotor for GRT-282	\$3299
009-9189	Rear roller scraper for GRT-250	\$499
009-9539	Rear roller scraper for GRT-258	\$569
009-9565	Rear roller scraper for GRT-266	\$789
009-9192	Rear roller scraper for GRT-282	\$899

*Weights indicated are base machine weight, not shipping weight*

# SEEDER/OVERSEEDER SEED-RITE



The BEFCO Seed-Rite is a primary full width seeder / overseeder. 74" working width, with a ground drive system for seed hopper. Steel seed box comes with a steel shaft agitator with ten high precision metering seed cups, with a wide range of calibration settings per acre. Two nylon/fiberglass corrugated rollers 9-1/2" in diameter the working width of seeder compact seed into soil. Unit can also be used as an overseeder for seeding existing lawns, parks etc.

- \* **Cat. I, 3 Pt. Hitch (quick hitch compatible)**
- \* **Parking stands**
- \* **74" seeding width**
- \* **80" overall width**
- \* **Heavy duty frame**
- \* **Heavy duty seed box lid with seed splash guard**
- \* **Seed box capacity 7 cu.ft.(5-1/2 Bu.)**
- \* **Seed box agitator**
- \* **10 high precision metering seed cups**
- \* **Wind guarded seed drop**
- \* **Two 9-1/2" diameter nylon/fiberglass corrugated rollers**
- \* **Greaseable roller bearings**
- \* **Two spring tine track removers**
- \* **HP requirements: 25 - 70 HP**

MODEL	DESCRIPTION	WEIGHT (LBS.)	LIST PRICE
SRT074	74" Seed-Rite Seeder/Overseeder	990 lbs.	\$13,349

## OPTIONS:

MODEL	DESCRIPTION	LIST PRICE
009-9930	Rear Expanded Roller Frame with Adjustable Tickler Tines for Seed Covering & De-thatching	\$1299

# NO-TILL DRILL



The SAYA507 is an 78" cost effective Light Duty No Drill with front coultter package. 10 Swept back spring loaded coultters make seeding easy and economical. Large seed and Legume cups allows for precise seeding in a no till operation. Stainless steel hoppers prevent rust and keep your drill in fine working shape for years to come.

- \* 7.5" Spacing
- \* Spring Loaded Coultter discs
- \* Spring Loaded Double Disc Opener with Cast Iron Hubs
- \* Cast Iron Sweptback Disc carriers
- \* Disc Scrapers
- \* Divided Stainless Steel Hopper
- \* Standard Seed/Fertilizer seed cups on front
- \* Legume Seed cups on rear
- \* Full width Cage Roller
- \* Compaction scrapers
- \* SAYA-505/507 — Front Hopper Capacity: 4.00/5.5 Cu. Ft.
- \* SAYA-505/507 — Rear Hopper Capacity: 3.00/4.5 Cu. Ft.

MODEL	WORKING WIDTH / DEPTH	MINIMUM HP REQ'D	DOUBLE DISC OPENERS	WEIGHT	LIST PRICE
SAYA-505	55" / 3/4" - 2"	30	7 sets	1036 lbs.	\$9399
SAYA-507	78" / 3/4" - 2"	35	10 sets	1400 lbs.	\$11,999

# CORE AERATORS

## Standard/Heavy Duty



The BEFCO Core Aerators are designed to allow better air and water penetration in grass surfaces such as lawns, sports fields, municipal parks and golf courses. These aerators use  $\frac{3}{4}$ " case hardened closed spoons, bolted on rotor flanges that are spaced  $6\frac{1}{2}$ " apart. SD units have 6 spoons per hub, while HD models have 8 spoons per hub, which can penetrate heavy thatch and tough soils to break up compaction and revitalize grassed areas. SD models are available in 48", 60", and 72" working widths, and compatible with 20 to 50 HP tractors. HD models are available in 60" and 72" working widths, and compatible with 20 to 70 HP tractors.

- \* CAT. 1 3 Pt. Hitch (Standard)
- \* CAT. 1&2, 3 Pt. Hitch (HD)
- \* 8 gauge formed steel construction
- \* 1-1/4" rotor support shaft
- \* Hub spacing 6.5"
- \* 3/4" hardened steel spoons
- \* Front or rear tractor mounting
- \* High tensile steel rotor shafts
- \* Flanges/Hubs welded to rotor
- \* 6 spoons per hub (Standard)
- \* 8 spoons per hub (Heavy Duty)
- \* 3 support stands

### Standard

MODEL	WORKING WIDTH	# OF HUBS	# OF SPOONS	SPOON PENETRATION	WEIGHT	LIST PRICE
BCA048	48"	8	48	4-1/2"	284 lbs	\$5069
BCA060	60"	10	60	4-1/2"	357 lbs	\$5319
BCA072	72"	12	72	4-1/2"	401 lbs	\$5739

### Heavy Duty

MODEL	WORKING WIDTH	# OF HUBS	# OF SPOONS	SPOON PENETRATION	WEIGHT	LIST PRICE
BCA260	60"	10	80	4-1/2"	444 lbs	\$6739
BCA272	72"	12	96	4-1/2"	549 lbs	\$7459

Units available with Spikes (EXTRA) in lieu of spoons  
 Optional steel weight tanks for sand available

P.O.R.

# REAR SCRAPER BLADES 3 Pt. 4100 Series

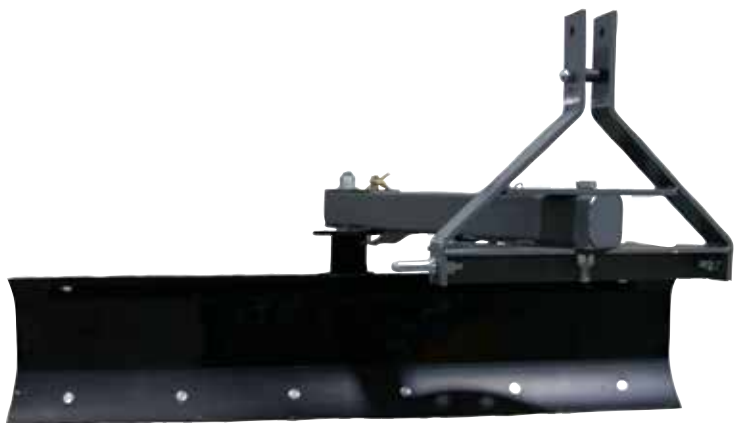


These affordable 3 Pt. rear scraper blades built by Ironcraft are ideal attachment for tractors up to 45 HP. They have a reversible and a replaceable 6" cutting edge. They have a quick and easy left or right angle ability in forward or reverse position. Manufactured in U.S.A.

- \* Cat. I – 3 Pt. Hitch
- \* Rated for tractors 15 to 35 HP
- \* Available in 4', 5', 6' & 7' working widths
- \* Moldboard height 4' & 5' – 13" high , 6' & 7' – 14" high
- \* 6" reversible & replaceable cutting edge
- \* Angle adjustment 5 positions forward & reverse
- \* Quick hitch compatible

MODEL	WIDTH	WEIGHT	LIST PRICE
4104	4' / 48" working width	158 lbs.	\$819
4105	5' / 60" working width	179 lbs.	\$919
4106	6' / 72" working width	202 lbs.	\$1055
4107	7' / 84" working width	223 lbs.	\$1199

# REAR SCRAPER BLADES 3 Pt. 4400 Series



These affordable 3 Pt. rear scraper blades built by Ironcraft are ideal attachment for tractors up to 65 HP. They have a reversible and a replaceable 6" cutting edge. They have a quick and easy left or right angle ability in forward or reverse position. They also offer offset and tilt adjustment. Manufactured in U.S.A.

- \* Cat. I – 3 Pt. Hitch
- \* Rated for tractors 35 to 65 HP
- \* Available in 5', 6' & 7' working widths
- \* Moldboard height 15.5" high
- \* 6" reversible & replaceable cutting edge
- \* Angle adjustment 5 positions forward & reverse
- \* Tilt adjustment 3 positions
- \* Offset adjustment 5 positions
- \* Quick hitch compatible

MODEL	WIDTH	WEIGHT	LIST PRICE
4405	5' / 60" working width	323 lbs.	\$1699
4406	6' / 72" working width	340 lbs.	\$1799
4407	7' / 84" working width	358 lbs.	\$1999



# REAR SCRAPER BLADES

## Heavy Duty



These heavy duty rear scraper blades are designed to give you the quality, dependable performance that you require. They come with Category 1 and 2, 3 Pt. hitch for 35 to 85 HP. These units come equipped with quick tilt, angle and offset manual adjustments. A parking stand is standard.

- \* HP Requirements: 35-85
- \* Tilt adjustments: 15-16° right or left
- \* Offset adjustments: 15-30° right or left
- \* Moldboard thickness: 1/4"
- \* Moldboard height: 17"
- \* Reversible 1/2" x 6" cutting edge
- \* Angle adjustment 15° - 16° - 45° forward or reverse
- \* Cat. 1 and 2, 3 Pt. hitch

MODEL	WIDTH	WEIGHT	LIST PRICE
GB484	7'	576 lbs.	\$4259
GB496	8'	652 lbs.	\$4459

# GRADER BLADE SKID STEER



[Click for Video](#)

The WORKSAVER 8 ft. six-way hydraulically controlled Skid Steer blade is controlled by an in-cab remote. The moldboard is shear pin protected to help prevent damage if an object is struck. The hydraulic cylinders work independently to allow the operator to adjust the moldboard to the task at hand. A proportional hydraulic valve provides precise control for maintaining grade. For even finer grade control, the unit can be paired with a Leica Laser System (sold separately). Flotation tires keep the machine moving smoothly over the worksite. In-cab controls allow the operator to adjust the angle and tilt functions from their seat. The SSGB8B is the perfect tool for maintaining a consistent grade when doing site prep work.

- \* 15" high x 8 ft. long Moldboard
- \* Moldboard is shear pin protected
- \* 1/2" x 6" reversible steel cutting edge
- \* 25 degree moldboard rotation
- \* 25 degree moldboard tilt
- \* Large 18.5 x 8.5 x 8 tires
- \* Greaseable tapered roller wheel bearings
- \* Hardened steel bushings used on main pivot points
- \* Minimum 45 HP recommended for skid steer

MODEL	DESCRIPTION	WEIGHT	LIST PRICE
SSGB8B	8' Hydraulic skid steer mounted grader blade	1195 lbs.	\$23,199

## OPTIONS:

MODEL	DESCRIPTION	WEIGHT	LIST PRICE
2507020	Laser Interface Junction Box Kit Allows the SSGB8B to interface with Leica Laser System (purchased separately from Leica)	3 lbs.	\$1459
812110	Laser Poles (Pair)	30 lbs.	\$349
811980	End Plates for blade (Pair)	60 lbs.	\$649

# LANDSCAPE RAKES

## 3 Pt.



5100 Series Models



LRHD Model

Shown with optional Dual Gauge Wheel Kit

These landscape rakes manufactured by WORKSAVER and Ironcraft make a great landscape attachment for your tractor. With HP ratings of up to 60 HP and working widths 4' to 8' we can match your requirements with the rake your tractor can handle. Units come with heat treated spring steel teeth spaced 1' apart. Gauge wheels are optional.

- \* 1" x 5/16" x 27" tines
- \* 5 backfill angle positions 4', 5', 6' & 7'
- \* 5 forward angle positions 4', 5', 6' & 7'
- \* 3 backfill angle positions LRHD models
- \* 5 forward angle positions LRHD models
- \* Turns 360°
- \* Cat. I - 3 Pt. hitch

### TITAN IMPLEMENT

MODEL	WIDTH	HP REQ'D	WEIGHT	LIST PRICE
5104	4' / 48"	15 - 45	158 lbs.	\$1219
5105	5' / 60"	20 - 45	180 lbs.	\$1389

### WORKSAVER

MODEL	WIDTH	MAX HP	WEIGHT	LIST PRICE
MCR6	6' / 72"	40	187 lbs.	\$1599
MCR7	7' / 84"	40	199 lbs.	\$1699
LRHD7	7' / 84"	60	330 lbs.	\$2499
LRHD8	8' / 96"	60	365 lbs.	\$2699

### OPTIONS FOR WORKSAVER:

MODEL	DESCRIPTION	WEIGHT	LIST PRICE
SGW10	Single gauge wheel kit	26 lbs.	\$369
DGW20	Dual gauge wheel kit	57 lbs.	\$959

# LAND PLANES

## LP1 Series



Tufline's LP Series land planes are ideal for gravel road reconditioning, driveway grading, pot hole filling, and general land levelling and grading. The LP series offers high strength reversible, double bevel cutting edges for unique dual blade grading performance. Constructed of heavy 3" square tubing, 3/16" thick plate & channel make the main frame rugged. Models 5' & 6' are Cat. I, 3 Pt. hitch. Models 7' & 8' are Cat. I - II, 3 Pt. hitch. Designed for 25 to 65 HP tractors.

MODEL	WIDTH	WEIGHT	LIST PRICE
LP160	5'	482 lbs.	\$3099
LP172	6'	532 lbs.	\$3299
LP184	7'	598 lbs.	\$3499
LP196	8'	642 lbs.	\$3699

## LP3 Series Heavy Duty



The LP3 series comes with two 1/2" x 6" cutting blades, with removal, rugged scarifiers to rip up any hard compacted ground. Then finish it with a smooth grade to flatten and level the soil. Constructed of 4" x 4" x 3/8" thick square tubing, along with 60" x 20" x thick side plates with adjustable skid shoes to set grading depth. Cat. I & II 3 Pt. hitch, quick hitch adaptable. Designed for 35 to 120 HP tractors.

MODEL	WIDTH	SHANKS	WEIGHT	LIST PRICE
LP384	7'/84"	4	908 lbs	\$6959
LP396	8'/96"	6	1110 lbs	\$7339
LP3120	10'/120"	8	1254 lbs.	\$8199

# SNOW PUSHER 20 SERIES

"Universal" Skid Steer Mount



WORKSAVER 20-Series Snow Pusher makes snow removal easy. Performance matched to fit Sub-Compact tractors up to 30 HP, the 20-Series snow pushers are sized to the tractor for maximum snow removal. Available in 4' or 5' widths, these pushers are offered with an alloy steel cutting edge. CNC formed 11-gauge moldboard with formed 10-gauge back brace for strength and durability make these snow pushers high performers.

- \* 11 gauge moldboard
- \* 7 gauge end plate
- \* Inside angle bracing
- \* Adjustable skid shoes
- \* Up to 30 HP rating
- \* "Universal" skid steer style mount
- \* Optional pull-back kits available
- \* Models available with rubber cutting edge

MODEL	DESCRIPTION	WEIGHT	PRICE
SPS2048M	4' / 48" Snow Pusher	163 lbs.	\$1839
SPS2060M	5' / 60" Snow Pusher	180 lbs.	\$1899

#### **OPTIONS:**

MODEL	DESCRIPTION	WEIGHT	LIST PRICE
358200	48" pull back kit	63 lbs.	\$629
358205	60" pull back kit	79 lbs.	\$789

# SNOW BLADES SKID STEER & FRONT TRACTOR LOADERS

5' & 6' Working Widths



[Click for Video](#)

- \* Recommended HP 25 - 45
- \* Maximum operating weight 4,500 lbs.
- \* 2 trip springs for controlled break over in snow
- \* Blade locks for light grading of loose dirt or gravel
- \* 3/8" x 6" reversible hardened steel cutting edge
- \* 6" x 1/2" thick rotating height adjustable skid shoes
- \* 21" high moldboard
- \* Manual angle adjustment is standard
- \* Optional hydraulic angle adjustment kit available

MODEL	DESCRIPTION	WEIGHT	PRICE
SBS2160	5 ft. snow blade for compact tractors with loaders that utilize the "Universal" skid steer quick attach system	325 lbs.	\$4299
SBFL2160	5 ft. snow blade for compact tractors with loaders requiring optional interfacing quick attach brackets. Order extra	335 lbs.	\$4199
SBS2172	6 ft. snow blade for compact tractors with loaders that utilize the "Universal" skid steer quick attach system	353 lbs.	\$4499
SBFL2172	6ft. Snow blade for compact tractors with loaders requiring optional interfacing quick attach brackets. Order extra	360 lbs.	\$4259

#### **OPTIONS:**

MODEL	DESCRIPTION	WEIGHT	LIST PRICE
360170	Optional hydraulic angle adjustment kit includes cylinders, fittings and hoses between cylinders. Does NOT INCLUDE hydraulic hoses or quick couplers to tractor remotes	40 lbs.	\$869
360065	Optional crossover relief valve protects blade from damage	7 lbs.	\$589
360220	Optional top deflector for 5ft blade		\$259
360223	Optional top deflector for 6ft blade		\$309
360235	Optional sight indicators		\$89

# SNOW BLADES SKID STEER & FRONT TRACTOR LOADERS 7.5' & 9' Working Widths



[Click for Video](#)

- \* Recommended HP 40 - 90
- \* 2 trip springs for controlled break over in snow
- \* Blade locks for light grading of loose dirt or gravel
- \* 3/8" x 6" reversible hardened steel cutting edge
- \* 6" x 1/2" thick rotating height adjustable skid shoes
- \* 27" high moldboard
- \* 5 degree lateral oscillation
- \* Manual angle adjustment is standard 7.5 ft model
- \* Optional hydraulic angle kit available for 7.5 ft model
- \* Hydraulic angle adjustment standard on 9 ft model
- \* Manual adjust angles are either 14 or 27 degrees
- \* Hydraulic angle adjusts up to 27 degrees

MODEL	DESCRIPTION	WEIGHT	PRICE
SBS2790A	7.5 ft. snow blade for tractors with loaders or skid steers that utilize the "Universal" skid steer quick attach system	646 lbs.	\$5899
SBFL2790A	7.5 ft. snow blade for tractors with loaders requiring optional interfacing quick attach brackets. Order extra	660 lbs.	\$5799
SBS27108A	9 ft. snow blade for tractors with loaders or skid steers that utilize the "Universal" skid steer quick attach system Includes hydraulic angle kit with cross over relief valve	735 lbs.	\$8299
SBFL27108A	9 ft. snow blade for tractors with loaders requiring optional interfacing quick attach brackets. Order extra Includes hydraulic angle kit with cross over relief valve	748 lbs.	\$8159

## OPTIONS:

MODEL	DESCRIPTION	WEIGHT	LIST PRICE
360168	Optional hydraulic angle adjustment kit includes cylinders, fittings and hoses between cylinders. Does NOT INCLUDE hydraulic hoses or quick couplers to tractor remotes	40 lbs.	\$759
360065	Optional crossover relief valve protects blade from damage	7 lbs.	\$589
360227	Optional top deflector for 7.5 ft blade		\$349
360230	Optional top deflector for 9 ft blade		\$439
360235	Optional sight indicators		\$89

*Weights indicated are base machine weight, not shipping weight*

# BOX SCRAPERS

## Standard Duty 3 Pt.

### 3100 Series



These affordable 3 Pt. box scraper blades built by Ironcraft are ideal attachment for tractors up to 55 HP. They have a reversible and a replaceable 6" cutting edge. They come with scarifier shanks to help breakup hard packed ground. Manufactured in U.S.A.

- \* Cat. I – 3 Pt. Hitch
- \* Rated for tractors 15 to 55 HP
- \* Available in 4', 5', 6', 7', & 8' working widths
- \* Moldboard height 17" high
- \* Overall depth 22"
- \* 6" reversible & replaceable cutting edge
- \* Quick hitch compatible

MODEL	WIDTH	# SCARIFIERS	WEIGHT	LIST PRICE
3104	4' / 48" working width	3	290 lbs.	\$1589
3105	5' / 60" working width	4	323 lbs.	\$1829
3106	6' / 72" working width	5	357 lbs.	\$2049
3107	7' / 84" working width	6	390 lbs.	\$2329
3108	8' / 96" working width	6	421 lbs.	\$2479



# BOX SCRAPERS

## Heavy Duty



These heavy duty series of box scrapers are available in widths up to 8'. They are ideal for the professional landscaper or farmer. They come complete with hinged rear moldboard for smoother grading and front and rear cutting edge with scarifier shanks. Category 1 pins on 5' and 6' models. Category 2 pins on 7' and 8' models. Horsepower rating of 40 to 70 HP.

- \* Solid welded frame with welded A-Frame
- \* Radius formed moldboard for efficient loading and unloading
- \* High clearance scarifier bar for less trash build up
- \* Hinged free floating rear cutting edge for smoother grading
- \* HP Requirements: 40-70
- \* Moldboard height 18"
- \* Depth 21-1/2"
- \* Two heat treated 1080 grade 1/2" x 6" reversible cutting edges
- \* 3/8" thick end plates

MODEL	WIDTH	# SHANKS	LOAD CAPACITY	WEIGHT	LIST PRICE
TB272	6'	6	21.00 Cu. Ft.	661 lbs.	\$3799
TB284	7'	8	24.50 Cu. Ft.	841 lbs.	\$4399
TB296	8'	9	28.00 Cu. Ft.	904 lbs.	\$4699

# BOX SCRAPERS HYDRAULIC RETRACTABLE

## TB30 Series



Tufline's TB30 series hydraulic retractable scarifier box blades are designed to break through tough ground and easily handle a variety of earth-moving jobs. The hydraulic scarifier bar makes adjustments from the operator's seat convenient. The scarifier bar is constructed of heavy duty welded mast and tubular reinforced steel for durability. The large capacity steel box has a dual sided hinged tailgate to allow for scraping, leveling, and back filling. The cutting edges are 1/2" x 6" steel and are reversible for extended life. The blade is 20" high and the end plates are 3/8" thick. 5' & 6' models are Cat. I – 3 Pt. hitch, 7' & 8' models are Cat. I/II – 3 Pt. hitch. Includes hydraulic cylinder & hose kit.

- \* **Solid welded frame with welded A-Frame**
- \* **Radius formed moldboard for efficient loading and unloading**
- \* **High clearance hydraulically operated scarifier bar**
- \* **Hinged free floating rear cutting edge for smoother grading**
- \* **Two heat treated 1080 grade 1/2" x 6" reversible cutting edges**
- \* **3/8" thick end plates**
- \* **Hi-strength adjustable scarifier shanks**
- \* **Designed for 40 to 100 HP**
- \* **Moldboard height 20"**
- \* **Box depth 22"**

MODEL	WIDTH	# SHANKS	LOAD CAPACITY	WEIGHT	LIST PRICE
TB3060H	5'	6	21.8 Cu. Ft.	725 lbs.	\$5699
TB3072H	6'	6	26.2 Cu. Ft.	815 lbs.	\$6299
TB3084H	7'	8	30.5 Cu. Ft.	1052 lbs.	\$6799
TB3096H	8'	8	34.9 Cu. Ft.	1146 lbs.	\$7199



# BOX SCRAPER

## CBS Series



The Monroe Tufline CBS Series corral box scraper takes the proven Tufline box scraper series to another level. These heavy duty implements are ideal for cleaning barn lots, poultry house, snow removal and general land leveling and grading. The CBS Series box scraper is constructed of 4" square tubing, 1/4" moldboard with 1/2" x 6" reversible cutting edge, and 3/8" endplates.

- \* **Constructed of 4" Square Tubing**
- \* **1/4" Thick Moldboard**
- \* **3/8" Thick End Plates**
- \* **Heat Treated 1080 Grade 1/2 X 6" Reversible Cutting Edge**
- \* **27" High x 36" Inside Depth**
- \* **Cat. I or II 3 Pt. hitch**
- \* **Designed for 35 to 120 HP tractors**

MODEL	DESCRIPTION	HP REQ'D	CAPACITY	WEIGHT	PRICE
CBS84	7' box scraper	35-80 HP	44 Cu. ft	725 lbs	\$3959
CBS96	8' box scraper	45-100 HP	50 Cu. ft	815 lbs	\$3999
CBS120	10' box scraper	55-120 HP	60 Cu. ft	1010 lbs	\$4559

# BOX SCRAPER PULL TYPE



The Monroe Tufline pull type box scraper takes the proven Tufline box scraper series to another level. These heavy duty implements are ideal for cleaning barn lots, driveway grading, filling pot holes and general land leveling and grading. With tilting ability this is an excellent machine for crowning gravel roads or lanes, shaping slopes or cutting ditches.

- \* **Constructed of 4" Square Tubing**
- \* **1/4" Thick Moldboard**
- \* **3/8" Thick End Plates**
- \* **Heat Treated 1080 Grade 1/2 X 6" Reversible Cutting Edge**
- \* **Includes Hydraulic Cylinders and Hoses**
- \* **Tilting Ability**
- \* **Clevis Hitch**
- \* **9.5L x 15" Implement Tires**
- \* **Includes Implement Tongue Jack**

MODEL	DESCRIPTION	HP REQ'D	CAPACITY	WEIGHT	PRICE
DS196T	8' box scraper	35-80 HP	44 Cu. ft	1300 lbs	\$11,099
DS1120T	10' box scraper	45-100 HP	50 Cu. ft	1450 lbs	\$11,359
DS1144T	12' box scraper	55-120 HP	60 Cu. ft	1600 lbs	\$11,649

*Weights indicated are base machine weight, not shipping weight*

# POWERED LANDSCAPE RAKES



## Skid Steer Mount & 3 Pt. Hitch

WORKSAVER's new Powered Landscape Rakes, remove debris or sod to prepare a seedbed surface to create a new lawn or renovate an existing lawn. These powered landscape rakes also pulverize and set grade on new construction sites. Models available in 3', 4', 5' & 6' working widths to fit mini/compact skid steers. 6', 7' & 8' for standard skid steers. 5', 6', 7' & 8' for tractors with 3 Pt. hitch 540 RPM PTO. Rakes are available with your choice of 2" "SABRE TOOTH" rotors or 1-3/4" "CARBIDE TOOTH" rotors. Replaceable bearing housings and triple sealbearings provide durability and serviceability. Call your dealer for other models and sizes not listed.



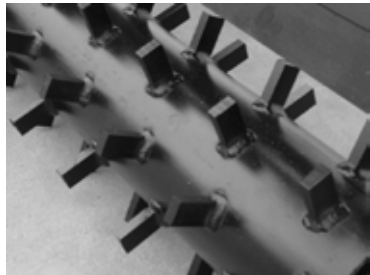
PTC Model for 3 Pt. Hitch



PSS Model for Skid Steer



PXS Model for "Mini" Skid Steer



Sabre Tooth Rotor



Carbide Rotor

# POWERED LANDSCAPE RAKES



## Skid Steer Mount & 3 Pt. Hitch

- \* Working widths up to 8 ft. available
- \* Available with your choice of 2" "Sabre Tooth" or 1-3/4" "Carbide Tooth" rotors
- \* Quick flip (self storing) side shields allowing ease of wind rowing rocks and debris
- \* Flip up gauge wheels with pneumatic tires
- \* #80 roller chain drive, H.D. models double #80 chain drive
- \* Environmentally friendly dry chain case
- \* Replaceable bearing housing with triple sealed bearings
- \* Standard Manual Angle adjustment, optional hydraulic angle kits available
- \* Adjustable material bar
- \* 540 RPM PTO models come with slip clutch PTO, and Cat. I, 3 Pt. Hitch
- \* Hydraulic models to fit skid steers come with hydraulic hoses with connect under pressure couplers

MODEL	DESCRIPTION	WEIGHT	LIST PRICE
PXS410	4 ft. with "Carbide Aggressor Tooth" rotor with universal "mini" skid steer mount	524 lbs	\$16,499
PXS410ST	4 ft. with "Sabre Tooth" rotor with universal "mini" skid steer mount	526 lbs.	\$15,399
PSS620	6 ft. with "Carbide Aggressor Tooth" rotor with universal "mini" skid steer mount, under 65 HP	830 lbs	\$18,499
PSS620ST	6 ft. with "Sabre Tooth" rotor with universal skid steer mount, under 65 HP	832 lbs.	\$17,399
PSHD865	8 ft. with "Carbide Aggressor Tooth" rotor with universal skid steer mount, over 65 HP	1144 lbs	\$23,999
PSHD865ST	8 ft. with "Sabre Tooth" rotor with universal skid steer mount, over 65 HP	1145 lbs.	\$22,699
PTC525	5 ft. with "Carbide Aggressor Tooth" rotor with 3 Pt. hitch CAT I for 24 - 40 HP	755 lbs	\$16,899
PTC525ST	5 ft. with "Sabre Tooth" rotor with 3 Pt. hitch CAT I for 24 - 40 HP	757 lbs.	\$15,699
PTC725	7 ft. with "Carbide Aggressor Tooth" rotor with 3 Pt. hitch CAT I for 24 - 40 HP	825 lbs.	\$19,499
PTC725ST	7 ft. with "Sabre Tooth" rotor with 3 Pt. hitch CAT I for 24 - 40 HP	827 lbs.	\$17,829

### OPTIONS:

MODEL	DESCRIPTION	LIST PRICE
360640	Hydraulic angle kit for PXS models with 2 sets of remotes	\$2199
360779	Hydraulic angle kit with solenoid for PSS/PSHD models with one set of remotes	\$3199
360915	Hydraulic angle kit for PTC models with one set of remotes	\$799

# CARTS

## STEEL



These carts will perform a variety of tasks safely, reliably and efficiently. The clean ergonomic design and sturdy construction make these carts perfect for hauling yard refuse, firewood, topsoil, sand and gravel or any other job you need moved or carried. Available in steel or poly bed construction.

Model 4501011

[Click for Video](#)

### List Price: \$489

- \* 750 lbs. load capacity
- \* Bed size 33"W x 49"L x 12"H
- \* Tire size 16" x 4" pneumatic
- \* Foot pedal release for easy dumping
- \* Weight 102 lbs.



Model 450554

### List Price: \$1239

- \* 1500 lbs. load capacity
- \* Bed size 32"W x 60"L x 24"H
- \* Tire size 18" x 9.5" all terrain with roller bearings
- \* 110 degree swivel feature and 60 degree dump angle
- \* Heavy duty 1" square tube welded frame
- \* 12" ground clearance
- \* Quick & easy removable sides allow for flatbed use
- \* Weight 205 lbs.





# CARTS POLY

**Agri-Fab**  
Lawn Care Made Easy™

Model 450529

## List Price \$799

- \* 1000 lb. / 17 cu.ft. load capacity
- \* Needle bearings and grease zerks in wheels
- \* Tube frame allows better ground clearance
- \* 18" x 9.5" all terrain pneumatic tires
- \* Bed Size 38"W x 56"L x 14"H
- \* Weight 100 lbs.



Model 450533

## List Price: \$369

- \* 650 lb. weight capacity
- \* Unloads and dumps in one stepping motion
- \* Durable cart cleans up easily
- \* One piece rustproof poly bed
- \* Bed Size 34"W x 45"L x 11"H
- \* Tire size 16" x 4" pneumatic
- \* Greaseable wheel bearings for long life
- \* Weight 51 lbs.



Model 450553

## List Price \$679

- \* 1000 lb. / 18 cu.ft. Capacity Tow Cart
- \* 110 degree swivel and 52 degree dump angle
- \* Tire size 16" x 6.5" turf tread
- \* Bed Size 39"W x 57"L x 15"H
- \* Weight 91 lbs.

[Click for Video](#)



# TINE DE-THATCHERS

## Pull Type

**Agri-fab**  
Lawn Care Made Easy™



[Click for Video](#)



De-thatching is very important in environmentally conscious lawn care. These de-thatchers by **AGRI-FAB** do a gentle job of bringing matted layers of thatch and large clippings to the surface for a healthy lawn.

- \* Twenty 3/16" heated tines on 40"
- \* Twenty four tines on 48"
- \* 40" and 48" working width available
- \* 7" x 1.5" semi-pneumatic tires

MODEL	WIDTH	WEIGHT	LIST PRICE
4502941	40"	33 lbs.	\$185
4502951	48"	37 lbs.	\$209

# LAWN SWEEPERS

## Push Type



[Click for Video](#)

The **AGRI-FAB** Push Lawn Sweeper makes cleaning up smaller yard spaces a breeze. Made with sturdy lasting parts, this sweeper will last season after season. It's lightweight so you can do the clean up job quickly and better than a rake. It folds up to fit in your garage.

- \* 26" sweeping width
- \* 6.2 cu. ft. hopper
- \* 9.75"x 2.25" wheels

MODEL	DESCRIPTION	WEIGHT	LIST PRICE
450218	26" Push type lawn sweeper	25 lbs.	\$289

# LAWN SWEEPER

**Agri-Fab**  
Lawn Care Made Easy™



450320

[Click for Video](#)



450546

Make a clean sweep of leaves, grass, lawn debris and more with an AGRI-FAB lawn sweeper. These models make quick work of just about any pickup task and do a thorough job the first time around. Unique design makes dumping of debris easy too. Optional front mount de-thatching unit available.

### 450320

- \* 4 – 10" diameter brushes
- \* 11 x 2-1/2" wide wheels
- \* 12 cu. ft. hopper capacity
- \* 42" sweep width
- \* Adjustable brush height
- \* Universal hitch easily & quickly adjusts to any tractor

### 450546

- \* 6 – 12" diameter brushes
- \* Flow thru hopper bag
- \* 27 cu. ft. hopper capacity
- \* 52" sweep width
- \* 12" x 2.5" tire/wheels with ball bearings
- \* Single center lever with preset height for brush height adjustment
- \* Universal hitch easily & quickly adjusts to any tractor

MODEL	DESCRIPTION	WEIGHT	LIST PRICE
450320	42" Lawn Sweeper	68 lbs.	\$549
450546	52" Lawn Sweeper	90 lbs.	\$749

### OPTIONS:

MODEL	DESCRIPTION	WEIGHT	LIST PRICE
4503433	Front mount de-thatcher fits above lawn sweepers	23 lbs.	\$149

# LAWN SWEEPER SMARTSWEEP

**Agri-Fab**  
Lawn Care Made Easy



[Click for Video](#)

The SmartSWEEP from Agri-Fab is designed to make sweeping up yard debris easier than ever. This unit doesn't skip, solving the #1 consumer frustration with current lawn sweepers. 25 cu. ft. hopper capacity. Exclusive patent pending offset hitch design allows users to simultaneously cut and sweep lawn clippings or leaves. Exclusive, patent pending ergonomic dumping mechanism, no more rope to pull. One button brush height adjustment, adjusts just the brush, not the whole unit.

- \* 44" sweeping width
- \* 25 cu.ft. hopper capacity
- \* #4 - 12" diameter brushes
- \* Offsetable hitch
- \* Ergonomic dumping mechanism
- \* One button brush height adjustment
- \* Design allows sweeper to collapse for compact storage

MODEL	DESCRIPTION	WEIGHT	PRICE
450492	44" SmartSWEEP	94 lbs.	\$709

## OPTIONS:

MODEL	DESCRIPTION	WEIGHT	LIST PRICE
4503433	Front mount tine de-thatcher fits above "TOW TYPE" sweepers	23 lbs.	\$149

*Weights indicated are base machine weight, not shipping weight*

# LAWN VACS

**Agri-Fab**  
Lawn Care Made Easy



450578

[Click for Video](#)



450577

For any size yard, Agri-Fab's **Mow-N-Vac** or **Chip-N-Vac** offer proven performance. 80 MPH worth of suction provides enough power to collect large quantities of grass, leaves, twigs, pine needles, etc. that can be dumped effectively with any of Agri-Fab's vac systems. All units include a safety engine shut-off which prevents accidental engine start-ups, a universal fit mower deck adapter. Units fit only right hand discharge mid-mount mowers. Longer hose will fit all mowers, including zero turn models.

MODEL	DESCRIPTION	WEIGHT	LIST PRICE
450577	Hard Top <b>Mow-N-Vac</b> with 163cc/6.5HP B & S engine with 2 year warranty. Large 26 bushel/32 cu.ft. capacity Includes cart with durable vented hard top design.	340 lbs.	\$2849
450578	Hard Top <b>Chip-N-Vac</b> with 163cc/6.5HP B & S engine with 2 year warranty. Large 26 bushel/32 cu.ft. capacity, chips up to 2" Dia. brush. Includes cart with durable vented hard top design	384 lbs.	\$3349

## **OPTIONS:**

MODEL	DESCRIPTION	WEIGHT	LIST PRICE
450253	5" x 12' long, remote hose kit for vacuuming flower beds and from under trees	19 lbs.	\$319

# SMARTLINK & ATTACHMENTS

**Agri-Fab**  
Lawn Care Made Easy™



450474  
Core/Plugger Aerator



450458



450473  
Master Platform



450457

[Click for Video](#)

The SmartLINK system from Agri-Fab allows users to switch from one lawn implement to another in seconds, without tools. Purchase the “master platform” and then any of the three different attachments: 40” TURF SHARK™ Curved Blade Aerator, 40” Core/Plug Aerator, or the 40” Tine Dethatcher, as required, or purchase all four pieces. Dethatch, spike or aerate your lawn with the pull type master platform that can be easily hooked to any lawn tractor. SmartLINK lawn care system provides unprecedented versatility, and can be easily stored.

- \* Master platform provides durable heavy gauge steel deck and drawbar
- \* Universal hitch fits any lawn tractor
- \* Rustproof aerator/core knives allows air, water and nutrients to reach into the soil
- \* Patented Turf Shark™ spike aerator designed for thorough soil penetration without messy soil plugs
- \* Tine dethatcher effectively loosens and lifts thatch for healthier lawn growth
- \* Flat free tires 9-1/2" diameter x 2-1/2" wide

MODEL	DESCRIPTION	WEIGHT	LIST PRICE
450473	Master Platform	60 lbs.	\$389
450474	40" Core/Plugger Aerator	29 lbs.	\$209
450458	40" Turf Shark Curved Blade Spike Aerator	23 lbs.	\$145
450457	40" Tine Dethatcher	19 lbs.	\$159

*Weights indicated are base machine weight, not shipping weight*

# AERATORS

## Pull Type

**Agri-Fab**  
Lawn Care Made Easy



450544

[Click for Video](#)



450299

[Click for Video](#)

Core aerating is increasingly important in aesthetically and environmentally conscious lawn care. These core and spike aerators by **AGRI-FAB** are perfect for highly compacted clay soil conditions allowing seed, fertilizer, air and water to reach deep into the lawns roots.

### 450544

- \* 40" spike aerator
- \* 10 galvanized spike discs
- \* Hitch pivots under tray for easy storage
- \* 100 lbs. capacity weight tray
- \* Durable 12 gauge steel

### 450299

- \* 48" core/plug aerator
- \* 3" aeration depth
- \* 32 galvanized plug aerator knives
- \* Tray weight capacity 140 lbs.
- \* Single hand lift lever
- \* Flat free tires

MODEL	DESCRIPTION	WEIGHT	LIST PRICE
450544	40" spike aerator	44 lbs.	\$299
450299	48" plug aerator	90 lbs.	\$509



# LAWN ROLLERS

**Agri-Fab**  
Lawn Care Made Easy



450216 Shown (Steel)

[Click for Video](#)



450549



450267



450269

Uneven ground from frost heaving, newly sewn lawns or sod that just needs to be packed down, are ideal jobs for these lawn rollers. These steel or poly tow rollers can be used for light or heavy duty performance. 24" steel rollers use 16 gauge steel.

MODEL	ROLLER DRUM	WEIGHT W/WATER	SHIPPING WEIGHT	LIST PRICE
450267	<b>POLY</b> 18" dia. x 24" wide Push / Tow	250 lbs.	68 lbs.	\$319
450269	<b>POLY</b> 18" dia. x 48" wide	550 lbs.	125 lbs.	\$479
450179	<b>STEEL</b> 24" dia. x 36" wide	640 lbs.	110 lbs.	\$469
450216	<b>STEEL</b> 24" dia. x 48" wide	910 lbs.	170 lbs.	\$599
450549	<b>STEEL</b> 24" dia. x 60" wide	1120 lbs.	266 lbs.	\$709

*Weights indicated are base machine weight, not shipping weight*

# SPREADERS

## Broadcast - Push Type



450576

[Click for Video](#)



450388

Broadcast spreaders spread everything from fertilizer, seed, ice melters and more. Solid construction and reliable design ensures even and continuous flow and spread of materials, eliminating streaks. Hoppers constructed of weather resistant polyethylene.

MODEL	DESCRIPTION	WEIGHT	LIST PRICE
450388	85 lb. Capacity 10" x 4" pneumatic tires. Up to 10' Spread width	20 lbs.	\$179
450576	110 lb. Capacity 10" x 4" pneumatic tires. Up to 10' spread width	27 lbs.	\$309

### OPTIONS:

MODEL	DESCRIPTION	LIST PRICE
69712	Hopper cover for 450388	\$20
69128	Spreader grate for 450388	\$22
69711	Hopper cover for 450576	\$22
64911	Spreader grate for 450576	\$25

# SPREADERS

## Broadcast - Tow Type

**Agri-Fab**  
Lawn Care Made Easy



450527

[Click for Video](#)

[Click for Video](#)



450530

Broadcast spreaders spread everything from fertilizer, seed, ice melters and more. Solid construction and reliable design ensures even and continuous flow and spread of materials, eliminating streaks. Hoppers constructed of weather resistant polyethylene. On/Off Control is accessible from tractor seat

MODEL	DESCRIPTION	WEIGHT	LIST PRICE
450530	85 lbs. Cap 10" x 4" pneumatic tires Up to 10' Spread Width	20 lbs.	\$159
450527	110 lbs. Cap. 10" x 4" pneumatic tires Poly hopper new design 8' to 10' spread width	27 lbs.	\$269

### OPTIONS:

MODEL	DESCRIPTION	LIST PRICE
69712	Hopper cover for 450530	\$20
69115	Deflector for ice melter for 450530	\$36
69128	Spreader grate for 450530	\$22
69711	Hopper cover for 450527	\$22
68871	Deflector for ice melter for 450527	\$39
64911	Spreader grate for 450527	\$25

*Weights indicated are base machine weight, not shipping weight*

# SPREADERS

## SmartSPREADER

**Agri-Fab**  
Lawn Care Made Easy



450463

[Click for Video](#)



450462

The Agri-Fab Smart spreaders have a 130 lb capacity, which saves time refilling on larger acreage lawns. These have a durable rod linked On-off control with precise settings. The enclosed gearbox, with tapered gears, allows for even spreading and long life. The large diameter tires with wide wheelbase provides stability on rougher terrain.

- \* 130 lb. capacity
- \* Unique, user friendly spreader-setting knob for precise fertilizer application
- \* Spring loaded ON/OFF lever

MODEL	DESCRIPTION	WEIGHT	LIST PRICE
450462	SmartSPREADER Push	37 lbs.	\$349
450463	SmartSPREADER Tow	37 lbs.	\$349

### OPTIONS:

MODEL	DESCRIPTION	LIST PRICE
69711	Hopper cover for both models	\$22
68871	Deflector for ice melter for both models	\$39
64911	Plastic spreader grate for both models	\$25

# SPREADER

## Broadcast

### Pull-Type

**Agri-Fab**  
Lawn Care Made Easy



[Click for Video](#)

Agri-Fab broadcast spreaders spread everything from fertilizer, seed, ice melter and more. Solid construction and reliable design ensures even and continuous flow and spread of materials eliminating streaking. Hopper construction of weather resistant polyethylene. On/Off control is accessible from garden tractor seat.

- \* 185 lb. Capacity
- \* Spread width up to 12 ft. depending on material being spread
- \* Large 15" x 6" pneumatic turf tires with ball bearing hubs
- \* Poly hopper and spread plate
- \* Enclosed gear box
- \* Heavy duty steel gears
- \* Includes hopper cover

MODEL	DESCRIPTION	WEIGHT	LIST PRICE
450329	185 lb. capacity, tow type Fertilizer Spreader	57 lbs.	\$519

#### **OPTIONS:**

MODEL	DESCRIPTION	LIST PRICE
69713	Hopper cover	\$21

*Weights indicated are base machine weight, not shipping weight*

# SPREADERS

## Ice Melt - Push Type

**Agri-Fab**  
Lawn Care Made Easy



[Click for Video](#)

Ideal for ice control. Features large hopper, 13 X 5 turf tires, enclosed gearbox, stainless steel axel and impeller shaft, and heat treated steel gears. Works well for rock salt and ice melt application. Grate, deflector, grips and cover included.

- \* 130 lb capacity
- \* Durable poly hopper increases product life
- \* Grate improves material flow
- \* Cover keeps material dry no matter the conditions
- \* Deflector will narrow the spread when needed
- \* Works well as a seed/fertilizer spreader in warm weather

MODEL	DESCRIPTION	WEIGHT	LIST PRICE
450548	130 lb. Ice melt push spreader	35 lbs.	\$499

# DROP FERTILIZER SPREADER

**Agri-Fab**  
Lawn Care Made Easy

[Click for Video](#)



The Agri-Fab drop spreader is the proper tool for overseeding, weed control, fertilizing and more. You can count on the Agri-Fab spreader to help. Designed for easy operation and even coverage, our spreaders will give you great results time after time.

- \* 175 lbs. capacity
- \* 42" spread width
- \* 3/4" axle
- \* Covers approx. 40,000 sq. ft.
- \* Premium galvanized steel agitator.
- \* Spreader settings for a multiple of materials.
- \* Ground Drive

MODEL	DESCRIPTION	WEIGHT	LIST PRICE
450288	Drop fertilizer spreader 14" x 4" pneumatic tires	45 lbs.	\$489

# SPIKER SEEDER DROP SPREADER

**Agri-Fab**  
Lawn Care Made Easy™



450545

[Click for Video](#)



450543

The AGRI-FAB Tow Behind Spiker/Seeder/Drop Spreaders are a versatile implement for spreading seed, fertilizer, or for over seeding lawns. These units can be attached to any lawn and garden tractor or ATV.

### 450543

- \* 100 lb. capacity
- \* Approximate coverage 17,500 sq. ft. (approximately 1/3 acre)
- \* Spread Width 32"
- \* Poly Hopper
- \* Galvanized steel agitator
- \* Steel spike wheels
- \* Flat free tires
- \* On-Off control accessible from garden tractor seat

### 450545

- \* 175 lb. capacity
- \* Approximate coverage 40,000 sq. ft. (approximately 1 acre)
- \* Spread Width 42"
- \* Poly Hopper
- \* Galvanized steel agitator
- \* Steel spike wheels
- \* Flat free tires
- \* On-Off control accessible from garden tractor seat

MODEL	DESCRIPTION	WEIGHT	LIST PRICE
450543	Spiker/Seeder/Drop Spreader	46 lbs.	\$469
450545	Spiker/Seeder/Drop Spreader	83 lbs.	\$829



# SPREADERS

## ATV, UTV or TRUCK MOUNT



The SWISHER COMMERCIAL PRO spreaders are available in a ATV mount or truck mount. Both units are universal fit, with a heavy duty double ball bearing, permanent magnet DC 12 volt motor. Control the flow rate with operator accessible adjustable feed gate. All control plates are zinc plated for corrosion protection. Adjustable spread width 4' to 16' depending on material to be spread. Spreads grass seed, fertilizer & ice melt. The spreader vibrator provides 80 lbs of vibration force to assist in material flow and help reduce clogs. Used with any Swisher poly spreader.

### ATV Model

- \* Universal fit
- \* On and off switch is frame mounted
- \* 12 volt motor
- \* 8" easy fill spin-on cap with breather
- \* Opaque 15 gallon (2 cu. ft.) poly tank
- \* 150 lb. capacity

### UTV-TRUCK Model

- \* Universal fit
- \* Mounts to existing 2" x 2" receiver
- \* 12 volt motor
- \* 8" easy fill spin-on cap with breather
- \* Opaque 25 gallon (3.3 cu.ft.) poly tank
- \* 300 lb. capacity

MODEL	DESCRIPTION	WEIGHT	PRICE
19920	ATV Mount Spreader 150 lb. capacity	45 lbs.	\$1339
22511	UTV-Truck Mount Spreader 300 lb. capacity	70 lbs.	\$999
22430	Spreader Vibrator Kit 12V	8 lbs.	\$339

*Weights indicated are base machine weight, not shipping weight*

# SPREADERS

## Broadcast 12 Volt



The ATV mount can utilize the optional 2" Truck hitch receiver to mount onto a pickup truck or SUV. The spreader has 2.2 cu.ft. (1.5 bu.) poly hopper which has a capacity of up to 145 lbs. depending on type of material. Stainless steel radial 6 blade fan/spinner can spread material up to 45 feet (depending on type of material to be spread). Can be used with fertilizer, seed, powders, granular, insecticides, fungicides, herbicides and ice melter.

- \* 2.2 cu.ft. (1.5 bu.) (16 gal.) rust proof poly hopper
- \* Up to 145 lb. capacity
- \* 5 ft. to 45 ft. variable spread width
- \* Stainless steel radial 6 blade fan / spinner
- \* 12 volt motor with variable speed control with On-Off switch
- \* Universal ATV Mounting, 2" receiver hitch mounting available with purchase of optional 5301901

MODEL	DESCRIPTION	WEIGHT	LIST PRICE
ATVDMS12V	ATV mounted spreader	56 lbs.	\$919

### OPTIONS:

MODEL	DESCRIPTION	LIST PRICE
5058193	Clear hopper cover	\$18
5301901	2" receiver hitch for ATVDMS12V	\$219

# SPREADER

## 3 Pt. Hitch, 12 volt



The FIMCO 3 Pt. hitch spreader features a tough, corrosion - resistant 5.0 cu.ft. / 200 lb. capacity poly hopper with a stainless steel radial six blade spreading fan. Adjustable slide gate allows you to control the amount of material you're spreading, and can be opened or closed with a simple turn of the on/off handle. The FIMCO spreader uses a variable-speed 12 volt motor (with on/off switch) that lets you change the spread width from 5 ft. to 45 ft. (depending on material being spread).

- \* Poly Hopper
- \* 5.0 Cu.ft. / 200 lb. capacity
- \* CAT I, 3 Pt hitch
- \* Stainless steel radial six blade spreader fan
- \* 12 volt motor
- \* Variable speed controller
- \* Wiring harness to power supply

MODEL	DESCRIPTION	WEIGHT	LIST PRICE
DMS3PT12V50	Spreader 200 lb. capacity 12 volt	125 lbs.	\$1439

# SPREADERS GROUND DRIVEN



This fertilizer spreader, is manufactured to high standards and will hold up to the rigors of your everyday needs. Adjustable tow bar allows the spreader to be used on multiple hitch heights. High flotation tires on a wide base gives greater stability over many types of terrain. Works for fertilizer, seed, and ice melter spreading applications.

- \* Heavy Duty Steel Gears in sealed gearbox
- \* Adjustable Towing Hitch
- \* High flotation Tires 13 x 5.00 – 6
- \* Powder coated painted frame and hopper
- \* One piece steel hopper
- \* Left – Centre – Right Spread Pattern
- \* Poly Spreading Disc
- \* Optional Spread Deflector Shield Available
- \* 225 lb / 105 litre hopper capacity

MODEL	HOPPER CAPACITY	SPREADER WIDTH	HOPPER HEIGHT	WEIGHT	LIST PRICE
PTS100	225 lbs	20 ft	40"	60 lbs	\$899

## OPTIONS:

MODEL	DESCRIPTION	LIST PRICE
PTS001	Deflector Shield, reduces spread width	\$119
PTS002	Remote gate opener	\$409

# SPREADERS

## Baby-Hop

### Ground Driven



Easy connecting pull type hitch, ground controlled distribution, and rugged construction makes the **BEFCO** Baby-Hop spreader the perfect companion for your ATV, riding mower or small garden tractor. Ideally suited for even distribution of fertilizer, seed, salt and dry sand. Baby-Hop spreaders come complete with:

- \* One piece seamless painted steel hopper
- \* Even spread left-center-right pattern
- \* High flotation air tires
- \* 103-130: 13x5.00-6
- \* 106-130: 16x6.50-8
- \* Easy connecting pull type hitch
- \* Sturdy tubular frame
- \* Hopper levelling adjustment
- \* Sealed heavy duty gearbox

MODEL	HOPPER CAPACITY CU.FT/LBS	SWATH SPREAD	WEIGHT	LIST PRICE
103-130	3.5 / 226	20'	64 lbs.	\$1649
106-130	5.6 / 362	20'	84 lbs.	\$2179

**NOTE:** Poundage capacity calculated at 13-13-13 fertilizer weight of 64 lbs./Cu. Ft.

#### **OPTIONS:**

MODEL	DESCRIPTION	LIST PRICE
AA1-120	Deflector shield-reduces spreading width to approximately 4'	\$219

# SPREADERS

## Spin Type

### Steel



These quality spreaders are designed for tractors from 16 to 50 HP, 540 PTO RPM, Category 1, 3 Pt. hitch. Ideal for distribution of fertilizer, seed, salt, dry sand and much more. Spreaders come complete with:

- \* **HP Requirements: 16-50, 540 RPM**
- \* **One piece seamless painted steel hopper**
- \* **Three different spread patterns**
- \* **Heavy duty shielded PTO shaft (1-3/8" ASAE Cat. 1)**
- \* **Sturdy tubular frame**
- \* **Selective double gate opening**
- \* **Sealed heavy duty gearbox**
- \* **Fixed agitator**
- \* **Cat. 1, 3 Pt Hitch on all models**

MODEL	HOPPER CAP. CU.FT/LBS	TRACTOR HP REQ'D	WEIGHT	LIST PRICE
203-120	3.5 / 226	16 - 30	81 lbs.	\$1629
206-121	4.8 / 311	16 - 30	102 lbs.	\$1679
209-121	10.6 / 678	20 - 50	125 lbs.	\$1769
212-121	17.6 / 1130	20 - 50	136 lbs.	\$1859

**NOTE:** *Poundage capacity calculated at 13-13-13 fertilizer weight of 64 lbs./Cu. Ft.*

#### **OPTIONS:**

MODEL	DESCRIPTION	LIST PRICE
009-9524	Deflector shield fits model 203 & 206	\$219
009-9979	Tumbling style agitator 203 model only	\$189
009-9638	Deflector shield fits model 209 & 212	\$419
009-9978	Tumbling style agitator for 206, 209 and 212	\$189
009-9458	Siderow discharge for model 209 & 212 only	\$929
009-9850	Remote gate control for model 206, 209 & 212 only	\$779

# SPREADERS SPIN TYPE POLY HOPPER



FRONT VIEW



REAR VIEW

BRI poly hopper spreaders are available in two models, Cat. I 3 Pt hitch, 540 RPM PTO. Bottom opening gates ensure a constant and accurate flow of material to spinner. Variable positioning gate openings and fin adjustments allow material to drop on different positions of the spinning disc, therefore giving a left-right-center spread pattern.

- \* Durable no-rust Poly Hopper
- \* Cat. I 3 Pt. Hitch
- \* 540 RPM PTO
- \* Simple adjustable left-right-center spread pattern
- \* Galvanized spin disc with multi-positioning adjustable fins
- \* Maximum spread pattern 49 feet depending on material being spread

MODEL	DESCRIPTION	WEIGHT	LIST PRICE
SSP250	575 lb. / 196 Litres	123 lbs.	\$1229
SSP400	860 lb. / 293 Litres	130 lbs.	\$1299

# SPREADERS

## Turbo Hop 3 Pt.



301-300 Shown

[Click for Video](#)



303-600 Shown

Turbo Hop spreaders are designed for tractors from 20 to 60 HP, 540 PTO RPM, with a maximum spread swath of 40'-46'. Ideal for distribution of fertilizer, seed, salt, dry sand where accuracy and precision in application is needed. Turbo Hop spreaders come complete with:

- \* HP Requirements: 20-60, 540 RPM
- \* Polyethylene hopper
- \* Spreader spouts made of nylon and reinforced fiberglass
- \* Stainless steel opening control disc
- \* Cast steel anti-wear agitator
- \* Heavy duty shielded PTO shaft (1-3/8" ASAE Cat. 1)
- \* Sturdy tubular frame
- \* Micrometric flow control adjustment
- \* Heavy duty cast steel gearbox in oil bath
- \* 301-300-400 cone type hopper Cat. I / II 3Pt. hitch
- \* 303-600-999 retangular type hopper Cat. I / II 3Pt. hitch

MODEL	HOPPER CAPACITY		SPREAD		
	CU.FT/LBS		WIDTH	WEIGHT	LIST PRICE
301-300	9.00 / 576		17'- 47'	256 lbs.	\$6329
301-400	12.80 / 820		17'- 47'	267 lbs.	\$6899
303-600	20.6 / 1318		17'- 47'	419 lbs.	\$8459
303-999	36.1 / 2310		17'- 47'	455 lbs.	\$9299

**NOTE:** Poundage capacity calculated @ 13-13-13 fertilizer weight of 64 lbs. per cubic foot

Filter grates, agitator extensions and hydraulic controls available.



# FERTILIZER SPREADER

## Side Shot



Designed for precise spreading of fertilizer, where the material shoots out of the sides, making it a perfect tool for winery/vineyards, blueberry farms, Christmas tree farms, or anywhere else that precise application is necessary. Side-Shot components can be removed to use the spreader as any typical 3-PH mounted fertilizer spreader, with the addition of the SR002 spreader kit.

- \* **Designed for spreading fertilizer and salt**
- \* **Category 1 & 2 hitch**
- \* **Stainless steel bottom**
- \* **Material shoots out of both left and right sides**
- \* **Standard grate filter & hydraulic lever control for spreader gate**
- \* **Has a 26' to 59' spread swath**

MODEL	CAPACITY	DIMENSIONS	WEIGHT	LIST PRICE
SR600	1719 lbs	38" H x 51" W	229 lbs.	\$3799
SR800	2204 lbs	40" H x 55" W	264 lbs.	\$4099

### OPTIONS:

MODEL	DESCRIPTION	LIST PRICE
SR002	180 degree spread kit	\$229

*Weights indicated are base machine weight, not shipping weight*

# ZA-X FERTILIZER SPREADERS



AMAZONE ZA-X fertilizer spreaders to meet the demands of end-users and environmental protection: precise, reliable, reasonably priced.

- \* Double tipped hopper with optimum shape for continuous flow monitoring and more precision
- \* Fine-mesh filling sieves prevent problems when spreading and are easy to fold up and lock in position comfortable cleaning
- \* Complete spreading system made from stainless steel
- \* Convenience and reliability due to simple and easily accessible adjustment of spread rate and working width
- \* Double shutter system for an optimum rate setting and a quicker action for both opening and closing
- \* Row spreading attachment for optimum fertilization in special crops

MODEL	DESCRIPTION	WEIGHT (LBS.)	LIST PRICE
ZA-X903	900 L capacity with 18m working width	248 kg	\$11,965
<b>Included:</b> Swiveling Cover, Rolling Device & Row Spreader attachment for Orchards			



# ZA-M FERTILIZER SPREADERS



[Click for Video](#)



The ZA-M twin disc broadcaster, in hopper capacities up to 3,000 litres and spreading widths up to 36 meters, is the ideal machine for both farming and contractors alike and places great value on safety and reliability. The slow turning, high capacity agitation system and the reduced disc speeds ensure an even, granule-protecting fertilizer flow.

- \* **Important Parts in Stainless Steel**
- \* **Square Shallow Twin Tip Hopper**
- \* **Indestructible Oil Bath Gearboxes**
- \* **Requires pair OM spreading disc, see options.**
- \* **Stainless Steel Guard Tube to Protect Spreading Discs**
- \* **Spiral Agitators Ensure a Very Even Fertilizer Flow**
- \* **Hydraulic Single Shutter Slide Control for the Right or Left Hand Side**
- \* **Standard with Traffic Lights and Warning Plates**
- \* **Filling Sieve against Foreign Particles**
- \* **540 RPM PTO Shaft**
- \* **CAT II 3 Pt. Hitch**
- \* **Maximum Payload up to 6835 lbs. (3100kg)**
- \* **Calibration Device for the Simple Check of the Pre-Adjusted Spread Rate**
- \* **Comprehensive Setting Charts for all Types of Fertilizer**
- \* **Calculation Disc Rule to Determine the Required Shutter Slide Position**
- \* **Optional Spreading Disc, Hopper Extensions, Hopper Covers, Border Spreading Devices available**

MODEL	DESCRIPTION	WEIGHT (LBS.)	LIST PRICE
ZAM1502	1500 L / 395 gal capacity Requires OmniaSet (pair) spreading disc <b>see options on NEXT PAGE.</b>	337 kg	\$13,499

# ZA-M FERTILIZER SPREADERS



**AMAZONE**



## MANDATORY OPTION SPREADING DISCS:

**Choose one set below, required to make machine complete**

OmniaSet Spreading discs (pair) are equipped with pivoting spreading vanes that generate a spread pattern that is extremely precise and safe. Discs are made from stainless steel and are easy to interchange.

Spreading width in meters depending on material being spread.

MODEL	DESCRIPTION	WEIGHT	LIST PRICE
927870	Pair (2) spreading disc OmniaSet OM10-12m	15 lbs.	\$820
927776	Pair (2) spreading disc OmniaSet OM10-16m	18 lbs.	\$845
927777	Pair (2) spreading disc OmniaSet OM18-24m	27 lbs.	\$930
927778	Pair (2) spreading disc OmniaSet OM24-36m	33 lbs.	\$1965

## OTHER AVAILABLE OPTIONS:

MODEL	DESCRIPTION	WEIGHT	LIST PRICE
113912	500 L / 130 gallon hopper extension	27 kg	\$905
113913	1000 L / 265 gallon hopper extension	57 kg	\$2030
927784	Hopper cover for spreaders without extensions or with S500 hopper extensions only	26 kg	\$1395
927785	Hopper cover for spreaders with L1000 extensions	29 kg	\$1505
1733010	Boundary spread deflector Left Hand Side	5 kg	\$310
948320	Rolling parking stand	24 kg	\$820
935334	Limiter "ML" boundary spreader attachment L.H.	24 kg	\$2400
935335	Limiter "ML" boundary spreader attachment R.H.	24 kg	\$2400
922911	Calibration device for spread rate check	2 kg	\$285
112550	Easy Check Mat test kit	24 kg	\$645

*Weights indicated are base machine weight, not shipping weight*

# UTILITY VEHICLE SPRAYER



- \* Heavy duty blow molded 45 or 65 gallon polyethylene tank
- \* Low profile for improved stability / center of gravity
- \* Molded handles for easy installation in UTV's
- \* Conveniently positioned pump / manifold to be accessed from UTV cab to easily set sprayer PSI
- \* 12 volt diaphragm pump, 4.5 gpm, 60 PSI maximum
- \* New Multi-Lid included
- \* Quick release spray boom for fast assembly & disassembly from sprayer
- \* Can be used with tailgate of UTV closed or open
- \* 7 nozzle 3 section folding boom
- \* 140" spray pattern coverage
- \* Roundup ready
- \* Deluxe pistol type hand gun with 25ft of hose
- \* 45 gallon tank is 36" x 30"
- \* 65 gallon tank is 47" x 34.5"

MODEL	DESCRIPTION	WEIGHT	LIST PRICE
UTV457	45 gal. utility sprayer 7 nozzle, 3 section folding boom 12 volt, 4.5 GPM pump.	81 lbs.	\$1449
UTV657	65 gal. utility sprayer 7 nozzle, 3 section folding boom 12 volt, 4.5 GPM pump.	87 lbs.	\$1559

# SPOT & ATV SPRAYER



LG15EC



ATV25700QR



## 15 Gal. Spot Sprayer

- \* 15 Gal. (U.S.) corrosion resistant polyethylene tank
- \* Full drain out capabilities with molded in drain port, cap & tether
- \* Large sump pickup
- \* 5" fill lid with tether
- \* 12 volt (demand) diaphragm 1.0 GPM 35 PSI pump
- \* 18" lever handgun with adjustable nozzle with 15 ft. of hose
- \* Max. horizontal throw 25 ft.
- \* Max. vertical throw 12 ft.

## 25 Gal. ATV Sprayer with Boom

- \* 25 Gal. (U.S.) corrosion resistant polyethylene tank
- \* Universal ATV mounting brackets
- \* Full drain out capabilities with molded-in drain port, cap & tether.
- \* 12 volt diaphragm demand style pump, 2.1 GPM. Pressure range 0 – 60 PSI
- \* Adjustable Pressure
- \* Pressure Gauge
- \* 18" Handgun with adjustable nozzle & 15 ft. of hose
- \* 7 Nozzle, 3 section folding boom 140" spray coverage Includes nozzles and screens
- \* NEW QUICK RELEASE boom

MODEL	DESCRIPTION	WEIGHT	LIST PRICE
LG15EC	15 gal. spot sprayer with hand gun & 15 ft. hose	18 lbs.	\$189
ATV25700QR	25 gal. ATV sprayer with 7 nozzle 3 section boom (140") with hand gun & 15 ft. hose	56 lbs.	\$789

### OPTIONS:

MODEL	DESCRIPTION	LIST PRICE
7772014	Multi lid measuring device	\$39

*Weights indicated are base machine weight, not shipping weight*

# ESTATE SPRAYERS

## Tow Type



TRL4512V4 & TRL6512V7

[Click for Video](#)



LG30TRL

- \* Measured in U.S. gallon / litres
- \* Corrosion resistant polyethylene tanks
- \* Lower tank profile for improved stability
- \* Full drain out capability with molded in drain port, cap & tether
- \* Full length drain sump
- \* Large pickup sump
- \* 5" fill lid with tether
- \* Both gallon (US) and litre fluid volume indicator
- \* 30 gallon includes lever handgun with adjustable nozzle and 15ft of hose
- \* 45 & 65 gal. includes deluxe pistol grip handgun with adjustable nozzle and 25ft of hose
- \* 30 & 45 gallon: 12 volt 2.4 gpm, 60 psi diaphragm pump
- \* 65 gal. 12 volt 4.5 gpm, 60 psi diaphragm pump
- \* "On-Off" Switch
- \* Includes spray boom (includes nozzles and screens):
  - 30 gallon, 2 nozzle 80" coverage
  - 45 gallon, 4 nozzle 120" coverage
  - 65 gallon, 7 nozzle 140" coverage

MODEL	DESCRIPTION	WEIGHT	LIST PRICE
LG30TRL	30 gallon, 2 nozzle, 80" spray coverage 12V pump with 13" pneumatic tires	62 lbs.	\$729
TRL4512V4	45 gallon, 4 nozzle, 120" spray coverage 12V pump with 15/600 x 6 pneumatic tires	103 lbs.	\$1359
TRL6512V7	65 gallon, 7 nozzle, 140" spray coverage 12V pump, 18 x 9.5 x 8 pneumatic tires	153 lbs.	\$1999

### OPTIONS:

MODEL	DESCRIPTION	LIST PRICE
7772014	Multi lid measuring device	\$39



# SPRAYER

## 3 Pt. Hitch



The FIMCO 45 Gallon 3 Point Sprayer is designed to work with small to mid-size farm tractors for the application of pesticides, herbicides, insecticides or fungicides. Four nozzle boom with 120" spray coverage. Built on a powder coated steel frame with a folding 4 Nozzle Boom

- \* 45 Gallon UV resistant, molded polymer tank
- \* High Flo 12 Volt 2.4 GPM Pump 60 psi
- \* Deluxe pistol grip handgun delivers up to 40 feet of horizontal spray and 25 feet of vertical spray
- \* 4 nozzle folding boom with TeeJet AIXR air induction tips covers 120 inch swath
- \* Boom includes new anti drip strainers
- \* Cat. I, 3 Pt. hitch

MODEL	DESCRIPTION	WEIGHT	LIST PRICE
3PT4512V	45 Gal. US 3 Pt hitch sprayer 12V pump, 120" spray coverage	97 lbs.	\$1099

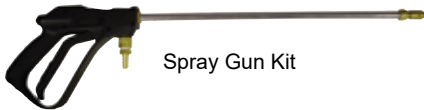
### OPTIONS:

MODEL	DESCRIPTION	LIST PRICE
7772014	Multi lid measuring device	\$39

*Weights indicated are base machine weight, not shipping weight*

# SPRAYER

## 3 Pt. Hitch



Spray Gun Kit



Pump

65 Gal (U.S) Cat. 1 3 Pt hitch sprayer for compact tractors for the application of pesticides, herbicides, insecticides or fungicides. Folding steel 7-nozzle boom delivers 12 feet of spray coverage.

- \* 65 U.S. Gallon Polyethylene tank
- \* 7 Nozzle folding boom
- \* Comes with TeeJet AIXR11003 air induction XR flat tips
- \* Hypro 6 roller pump – 9.76 GPM at 540 RPM
- \* Deluxe pistol grip spray gun with 25' of hose
- \* Piston type pressure relief/ regulating valve
- \* Highly visible pressure gauge

MODEL	DESCRIPTION	WEIGHT	LIST PRICE
3PT656R7	65 gal. US 3 Pt hitch sprayer with 6 roller Hypro PTO pump	151 lbs.	\$2129

# MINI EXCAVATOR



These new compact excavators are built to tackle any job. FORTIS mini excavators are perfect for any task that requires precision, power and productivity. These excavators are designed to be highly durable with advanced hydraulic systems and robust construction, ensuring that they are a reliable investment. Whether it's construction, landscaping, or agriculture, FORTIS has you covered. These mini excavators are powerful and versatile, making them an ideal choice for a wide range of applications. Power and precision unite in FORTIS mini excavators, delivering strength, versatility, and efficiency in a compact package.

## See Specifications on next page

MODEL	DESCRIPTION	WEIGHT	LIST PRICE
FME21	Mini Excavator	835 kgs.	\$12,899
FME31	Mini Excavator	934 kgs.	\$14,699
FME31C	Mini Excavator w/cab	1035 kgs.	\$16,499

# MINI EXCAVATOR



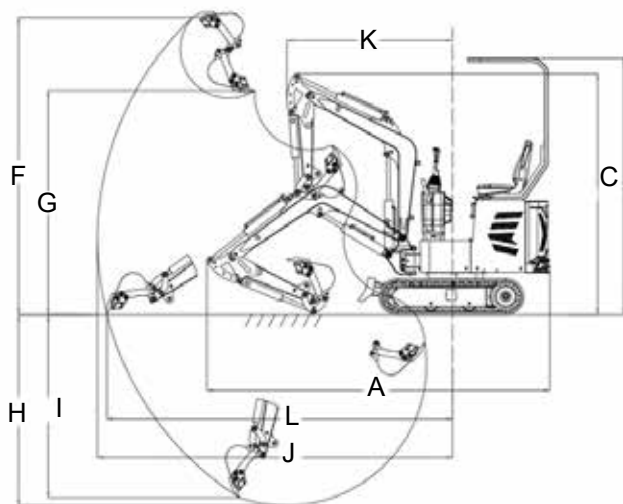
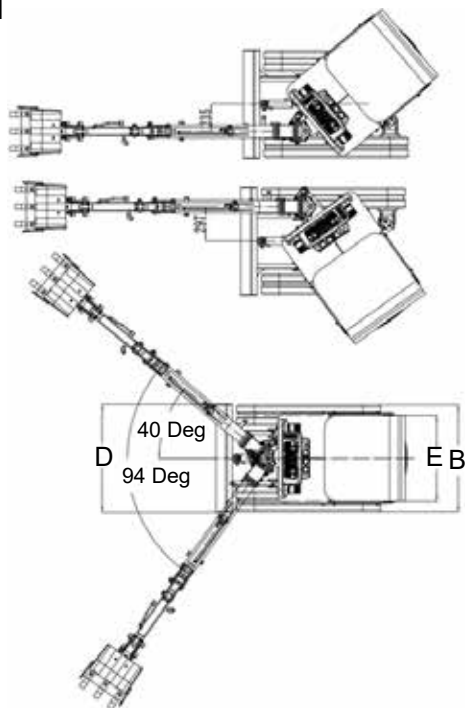
## Continued

- \* Brigs and Stratton 13.5 H.P gasoline engine
- \* Swivel boom
- \* Bucket capacity .8 cu ft
- \* Digging depth  
FME21 5ft 8in, FME31 5ft 6in
- \* Delivery capacity 420 CC
- \* Rated output power / speed = 13.5 HP / 3600 r/min
- \* Slewing speed 9 rpm
- \* Maximum climbing ability 30 degrees
- \* Maximum digging force 6.5 kN
- \* Rubber caterpillar band
- \* Grease cylinder
- \* Gear pump
- \* Working pressure 16 MPa
- \* Flow 18 L/min
- \* Hydraulic tank capacity 18L
- \* Engine oil capacity 1.1L
- \* Fuel tank capacity 6.6L
- \* Maximum travel speed  
FME21 1.2 km/h, FME31 1 km/h
- \* Ground pressure  
FME21 0.39 kgf/cm<sup>2</sup>, FME31 0.4 kgf/cm<sup>2</sup>
- \* FME31 has retractable tracks and optional enclosed cab with cooling fan

SPECIFICATIONS	CODE	FME21	FME31
Total Length	A	113"	113"
Total Width	B	33"	37"
Total height (with / with out ceiling)	C	87" / 78"	90" / 80"
Bulldozer blade width / height	D	37" / 8"	37" / 8"
Caterpillar band center distance	E	29"	29"
Caterpillar band board width		7"	7"
Maximum excavation height	F	98'	112"
Maximum unloading height	G	69"	82"
Maximum excavation depth	H	68"	66"
Maximum vertical arm excavation depth	I	65"	63"
Maximum excavation distance	J	119"	121"
Maximum turning radius front end	K	59"	47"
Maximum excavation ground distance	L	116"	119"
Platform clearance		16"	16"
Bucket width (with / without side teeth)		15" / 13"	15" / 13"
Total length of caterpillar band		47"	47"

# MINI EXCAVATOR

Continued



*Weights indicated are base machine weight, not shipping weight*

# ATV - UTILITY VEHICLE **Tufline**

## Attachments

### ATV DISC



- \* Heavy duty 2" square tube frame
- \* 16" notched disc blades
- \* Adjustable gang angle
- \* 1" square axle shafts with sealed ball bearings
- \* 7-1/2" blade spacing
- \* Ratchet turnbuckle height adjustment
- \* Pneumatic tires on 8" rims
- \* 1-7/8" ball hitch

Designed to work behind larger ATV's (300-400 cc) and utility vehicles. This heavy duty ATV disc is ideal for soil preparation and ground breaking.

MODEL	DESCRIPTION	WEIGHT	LIST PRICE
ATVD7816-2	52" working width ATV disc (8) 16" disc blades	347 lbs.	\$2589

### ATV LANDSCAPE RAKE



- \* Manual lift lever for height adjustment
- \* 15" spring steel rake tines, mounted on 1" centers
- \* Pneumatic tires on 8" rims
- \* 1-7/8" ball hitch

MODEL	DESCRIPTION	WEIGHT	LIST PRICE
ATVLR48	4' (48") Landscape rake	192 lbs.	\$2019
ATVLR60	5' (60") Landscape rake	203 lbs.	\$2199
ATVLR72	6' (72") Landscape rake	235 lbs.	\$2349

# AGRICULTURAL GPS BlackBox Air

**PATCHWORK**  
TECHNOLOGY



With built in terrain compensation, the BlackBox Air provides an accurate location for all field operations. It can provide straight and curved guidance modes which is perfect for most guidance needs. This is suitable for any application benefitting from GPS; on your tractor for spreading fertilizer, to quickly and easily moving it to your ATV for spreading red clover. Easy installation and operates from the 12V vehicle power supply.

- \* Bright 7" display with durable touch screen
- \* Micro SD storage card slot
- \* Rechargeable battery (via USB)
- \* WiFi and Bluetooth connectivity
- \* 8" accuracy with a 10hz GPS receiver (WAAS, EGNOS and GLONASS)
- \* Field recognition
- \* Field area measurement
- \* Coverage area measurement
- \* Stores farm and field boundaries

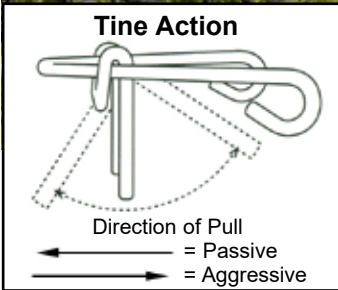
MODEL	DESCRIPTION	LIST PRICE
05-05-0033	BlackBox Air	\$2189

# CHAIN HARROWS

## Hackett Harrows



[Click for Video](#)



HACKETT HARROWS are designed to cover all applications from large farms to smaller hobby farms and equestrian venues. The Hackett Harrow is ideal for all types of ground work, by improving ground conditions by removing thatch, breaking up clods, working in fertilizer and breaking up and leveling soil, in established pastures, paddocks, park lands, small acreages, race tracks and horse arenas. The Hackett Harrows is manufactured in the U.K. from high quality steel, which ensures that the harrow is extremely strong with high resistance to wear. Harrows are available in 4 ft. 6 ft. 8 ft. 12 ft. and 16 ft. widths, x 4 ft. or 8 ft. long.

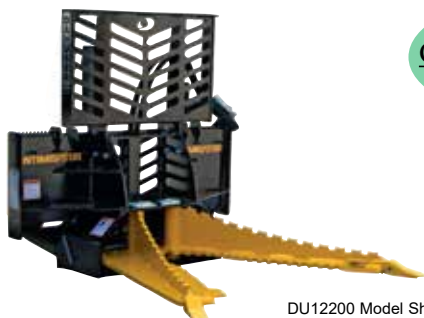
- \* Tine size 1/2" x 3-1/2"
- \* Sixty tines per 4 foot section
- \* High quality, high carbon steel tines
- \* Heat treated at optimum temperatures to ensure high resistance to wear

### PULL TYPE HARROW SETS COMPLETE WITH DRAWBAR

WIDTH X LENGTH	CONTENTS	WEIGHT	LIST PRICE
4' x 4'	1-CC044 & 1-DB04U	105 lbs.	\$529
6' x 4'	1-CC064 & 1-DB06U	165 lbs.	\$729
8' x 4'	2-CC044 & 1-DB08U	203 lbs.	\$959
12' x 4'	3-CC044 & 1-DB12U	301 lbs.	\$1469
16' x 4'	4-CC044 & 1-DB16U	402 lbs.	\$2039
4' x 8'	2-CC044 & 1-DB04U	179 lbs.	\$879
8' x 8'	4-CC044 & 1-DB08U	351 lbs.	\$1649
12' x 8'	6-CC044 & 1-DB12U	523 lbs.	\$2499
16' x 8'	8-CC044 & 1-DB16U	698 lbs.	\$3399



# TREE & POST PULLER Intimidator



DU12200 Model Shown

[Click for Video](#)

A true land-clearing, obstacle-removing attachment for your skid-steer or tractor, the Intimidator is ideal for eliminating trees, saplings, shrubs, bushes, and other obstructions on the job site or farm. The unmatched versatility of the Intimidator handles the toughest stumps, posts, rocks, fencerows, and land-clearing jobs. Selectively eliminate what you want. Maneuver into tight locations and next to buildings or fences with ease. Remove the complete tree or stump, roots and all. Remove larger trees, even with smaller skid-steers or tractors, using the replaceable excavator bucket teeth and vertical jaw saw teeth to dig and cut roots.

- \* Incorporates a tree/post puller, stump bucket, and rock picker all in one
- \* Can maneuver into tight locations and next to buildings and fences
- \* Dig and cut roots using the replaceable excavator bucket teeth and vertical jaw saw teeth for large tree removal and/or stumps
- \* Synchronized jaws are actuated by a rear mounted 3" diameter cylinder

MODEL	DESCRIPTION	WEIGHT	LIST PRICE
DU12200	Skid steer quick attach	630 lbs.	\$6585
DU12200T	Skid steer quick attach with side saw teeth jaws	642 lbs.	\$6999
DU12201	Euro/Global quick attach	643 lbs.	\$6999
DU12201T	Euro/Global quick attach with side saw teeth jaws	755 lbs	\$7345
DU12200F	Flat back (for custom fabrication)	740 lbs.	\$7299

## OPTIONS:

MODEL	DESCRIPTION	LIST PRICE
DU196056	Front End Loader Hose Kit	\$769

*Weights indicated are base machine weight, not shipping weight*

# TREE SAW HYDRAULIC, SKID STEER



The BROWN Tree Saw is designed for skid steer is a rugged machine that can handle selective clearing of wood lots, fence rows, food plots and ATV / bike trails. The heavy construction is tough enough to cut heavy brush and trees up to eight inches in diameter. All models have an electric over hydraulic rotating head for trimming limbs and sizing logs for easy removal. Mining grade saw blade tips are used to allow below ground cutting when desired. Machines are available with either industry standard hydraulic gear motors or cutting edge "Bent Axis Piston" motors.

- \* **90 Degree Rotating Head**
- \* **36" Blade with 10 Replaceable Carbide Teeth**
- \* **All Welded Construction**
- \* **Limb & Brush Guard Included**
- \* **Includes Hydraulic Hoses and Couplers**
- \* **Includes 3 Button Wiring Harness**
- \* **Optional 8 Pin or 14 Pin Connectors Available**

<b>MODEL</b>	<b>DESCRIPTION</b>	<b>GPM REQ'D</b>	<b>WEIGHT</b>	<b>LIST PRICE</b>
HTS3620BA	with hydraulic bent axis motor	20 GPM	1250 lbs.	\$26,999
HTS3640BA	with hydraulic bent axis motor	40 GPM	1250 lbs.	\$26,999

**Special Order, Allow 30 days for delivery**

# TREE SAW 3 Pt. HITCH



TS100 Model Shown

[Click for Video](#)



TSG200 Model Shown

The BROWN TREESAWS are designed to be rugged machines that can handle selective clearing of wood lots, fence rows, food plots, ATV/bike trails etc. the heavy construction is tough enough to cut heavy brush and trees up to 8" in diameter. The balanced blade keeps vibration to a minimum. The TS100 comes with a rigid brush bar for controlling brush and trees as you cut them. The TSG200 comes with a hydraulic grapple for moving brush and cut trees after cutting. Both units include a brush guard to protect operator.

- \* **Minimum HP required 35 HP**
- \* **Cat. 1 3 Pt. Hitch**
- \* **Height of cut: ground level**
- \* **All welded construction**
- \* **Gear Box Ratio 1: 1.5**
- \* **540 RPM PTO**
- \* **36" Blade with replaceable carbide teeth**

MODEL	DESCRIPTION	WEIGHT	LIST PRICE
TS100	TREESAWS with brush guard	850 lbs.	\$8899
TSG200	TREESAWS with hydraulic grapple & brush guard (includes hydraulic hose)	1050 lbs.	\$10,799

*Weights indicated are base machine weight, not shipping weight*

# LOGGING WINCHES

Fransgård

**INSTANT  
REBATE !**

**\$1,000** on V4021 & V6521

**\$500** on V3021, V3521  
& V5021

Complete  
our form for your  
INSTANT  
REBATE !

[Click for Video](#)



The **Fransgård** winch was designed and manufactured in Denmark for over 30 years. Its robust design, and extra weight, will provide great traction and enable skidding logs, even in narrow trails. The heavy-duty butt plate and tow bar, can be sued for dozing the logs, and levelling trails. All winches have a cam-activated clutch system

- \* All winches include PTO, cable & protective safety screen
- \* Specially designed cable resists friction for longer wearing life
- \* 1 year limited warranty on manufacturing defects.
- \* Owners manual and parts book provided with every winch
- \* All winches have a cam-activated clutch system
- \* PTO hookup ground clearance specifications enable choosing the ideal model for your tractor
- \* Top pulley is mounted on bearings, and extra supports provides additional resistance for heavy loads
- \* Cable drum tension bracket prevents cable from unspooling
- \* Replaceable, serrated tow bar strip on V4021 and up
- \* Replaceable cable drum frame

MODEL	PULL CAP.	WEIGHT	TRACTOR HP REQ'D	CABLE LENGTH	CABLE DIA.	LIST PRICE
V3021	6600 lbs	385 lbs.	25	133'	5/16"	\$5899
V3521	7700 lbs	408 lbs.	25	133'	5/16"	\$5999
V4021	8800 lbs	657 lbs.	40	167'	3/8"	\$7599
V5021	11,000 lbs	687 lbs.	40	167'	3/8"	\$7499
V6521	14,300 lbs	972 lbs.	80	167'	7/16"	\$10,999

**CAUTION:** Timber winches are mounted very close to the tractor for maximum stability, therefore PTO length is critical. Stock length shaft supplied may require shortening to suit tractor. Operator should ensure that the PTO is never operated at over a 30 degree angle. Three point hitch linkage must have lower setting adjusted so winch does not dig into soft ground pulling the or breaking the PTO shaft. There is no warranty on PTO shafts and knuckles broken or bent under the circumstances listed above. Never transport logs hooked to top of winch by cable, always use chains hooked to transport bar which gives a lower center of gravity.

**NOTE :** Please review owners manual as there are specific operating and maintenance instructions - cables are considered a wearing part and are not covered by warranty.

# LOGGING WINCH

## Accessories

Fransgård

**INSTANT  
REBATE !**

**\$1,000** on V4000 & V6500

**\$500** on V3004, V3507  
& V5000

Complete  
our form for your  
**INSTANT  
REBATE !**



1582



1525/1546/1556



1562



1593

1584



1595/1596



1586/1588

MODEL	DESCRIPTION	LIST PRICE
1525	Cable 5/16" x 133' (for use with V2800,V3021,V3521)	\$259
1546	Cable 3/8" x 167 ft (for use with V4021,V5021)	\$435
1556	Cable 7/16" x 167 ft - for use with V6521	\$499
1562	End hook for cable	\$21
1582	Choker/Slider	\$38
1584	Choker chain 7' silver (for use w/V3021 & V3521. Work load 2200lbs/1000kg)	\$60
1586	Choker chain heavy duty 7' red (for use with V4021, V5021 & V6521) Work load 6615 lbs/3000kg	\$110
1588	Choker chain heavy duty 10' red (for use with V4021, V5021 & V6521) Work load 6615 lbs/3000kg	\$139
1593	Middle Pulley for V3021 and V3521	\$155
1595	Distance Pulley - 4000 kg / 8800 lbs.	\$519
1596	Distance Pulley - 13000 kg / 28600 lbs.	\$1269

*Weights indicated are base machine weight, not shipping weight*

# LOG HOLDER



[Click for Video](#)

The Timber Croc Log Holder is able to safely and securely hold logs, pallets and planks while they are being cut, eliminating many of the dangers traditionally associated with log cutting. The Timber Croc utilises a patented “teeth” design to hold logs in place and it is completely self-adjusting. The Timber Croc is designed to hold logs, pallets and planks of various sizes, while cutting with a chainsaw. It will hold a log without any other support, making log cutting a job for one person. The heavy-duty Timber Croc Log Holder is capable of gripping logs exceeding 20 kilograms. This makes cutting wood a safe, one person job. Also standing higher off the ground, there is enough clearance to wheel a small trailer underneath that will catch the falling logs. This saves time, backache and fatigue. The Timber Croc Log Holder is quick and simple to set up and folds for convenient transport and storage. This product design is copyright approved and patent granted

- \* **Superior Built Product**
- \* **One-person Operation**
- \* **Safer Application**
- \* **Patented ‘teeth’ design grips wood of all shapes and sizes**
- \* **Faster (no clamp adjusting)**
- \* **More portable**
- \* **115cm high, 116cm long, 45cm wide**

MODEL	DESCRIPTION	WEIGHT	LIST PRICE
TCLH1	Log Holder	20 kgs.	\$399

# STUMP GRINDERS

## 3 Pt. Hitch



[Click for Video](#)

This **WORKSAVER** economical and efficient PTO powered stump grinder makes stump removal fast & easy. The operator easily controls the stump grinder from the comfort of their tractor seat.

- \* **Maneuverable - goes anywhere a tractor can.**
- \* **Cutting wheel design provides a smoother cutting action.**
- \* **Durable carbide -tipped cutting teeth are economical and easy to replace.**
- \* **SUREFOOT stabilizer bar provides solid footing during operation.**
- \* **Rubber deflector helps control chips during grinding.**
- \* **Hardened bushings used in major pivot points for increased reliability.**

MODEL	SG26 (3 Pt)	SG36 (3 Pt)
<b>LIST PRICE</b>	<b>\$12,699</b>	<b>\$14,699</b>
Hitch	Cat. 1	Cat. 1 and 2
Overall Length	75"	80"
PTO Driveline	Series 5	Series 6
Driveline Protection	Slip Clutch	Slip Clutch
Gearbox Rating	60 HP	100 HP
Cutting Wheel Thickness	3/4"	3/4"
Cutting Wheel Diameter	26"	36"
# Of teeth	30	39
Cutting Ht Above Ground	18"	18"
Cutting Ht Below Ground	10"	10"
Max. Cut Depth Per Pass	5"	8"
Max. horizontal cut	28"	33"
Swing Arc	45°	45°
HP Requirement	22-50	45-100
Weight	660 lbs.	880 lbs.

### OPTIONS:

MODEL	DESCRIPTION	LIST PRICE
811600	Box of 12 replacement carbide teeth with bolts and washers	\$499

*Weights indicated are base machine weight, not shipping weight*

# ELECTRIC SUB-COMPACT GRAPPLE



[Click for Video](#)

No auxiliary hydraulics to operate the clamp on a grapple? With Worksaver's Electric Sub-Compact Grapple, all you need is a connection to the battery. Engineered for Sub-Compact tractors (up to 32-hp) equipped with a loader with "universal" skid-steer mount, to handle debris and so much more. These grapples are opening up possibilities never before available to large and small property owners. This grapple is intended for a light duty application.

- \* **"Universal" skid steer quick attach or JD hook & pin**
- \* **12-Volt Industrial Linear Actuator with 8" stroke to open and close upper grapple**
- \* **1012 lbs of force in closed position**
- \* **Includes 10-gauge universal wiring kit allowing direct connection to the battery**
- \* **Pre-wired rocker switch w/mount to fit most joy sticks**
- \* **31 inch grapple opening for ease of gathering materials**
- \* **Parking stand to assist storage and hook-up**

MODEL	DESCRIPTION	WEIGHT	LIST PRICE
ESCG48S	48" electric grapple	247 lbs.	\$4259
ESCG48JD	48" electric grapple for JD	240 lbs.	\$4329



# GRAPPLE RAKES

## Compact Tractors up to 40 HP



**WORKSAVER** grapple rakes for skid steer and tractor front loaders are ideal for loading logs, picking rocks, and orchard prunings. Can be used for raking and piling brush and other hard to handle materials. Skid steer models use "Universal attaching" system for quick convenient method of hook-up. Tractor front loader mounting brackets extra. Pin type or quick attach brackets available.

- \* **Single grapple**
- \* **Single cylinder controls upper grapple**
- \* **Optional interfacing quick-attach bracket available to fit most John Deere, AGCO, Kubota, CNH, and other brands of loaders.**
- \* **The FLGR-4062S is used on OEM loaders that utilize the skid steer quick-attach system**

MODEL	APPLICATION	WIDTH	WEIGHT	LIST PRICE
FLGR4062	Front Loader	60"	277 lbs.	\$3959
FLGR4062S	Front Loader with skid steer quick-attach system	60"	355 lbs.	\$4159
NOT FOR USE ON SKID STEER LOADERS				

*Weights indicated are base machine weight, not shipping weight*

# GRAPPLE RAKES

## Tractors / Skid Steer



[Click for Video](#)



**WORKSAVER** grapple rakes for skid steer and tractor front loaders are ideal for loading logs, picking rocks, and orchard prunings. Can be used for raking and piling brush and other hard to handle materials. The split top design provided dual upper grapples for picking up brush and other debris while leaving the dirt behind. Skid steer models use "Universal attaching" system for quick convenient method of hook-up. Tractor front loader mounting brackets extra. Pin type or quick attach brackets available.

- \* **Two working widths 62" and 77"**
- \* **with 4 grapple tines**
- \* **Tine spacing 15" center to center**
- \* **Grapple opening 50"**
- \* **Grapple depth 25"**
- \* **Reinforced tubes welded between lower tines for added strength**
- \* **Includes hydraulic cylinders, less hoses**

MODEL	APPLICATION	WIDTH	WEIGHT	LIST PRICE
FLGR262	Front Loader	62"	811 lbs.	\$6499
FLGR277	Front Loader	77"	958 lbs.	\$7499
SSGR262	Skid Steer	62"	820 lbs.	\$7299
SSGR277	Skid Steer	77"	965 lbs.	\$8299

### OPTIONS:

MODEL	DESCRIPTION	LIST PRICE
811395	Parking Stand Kit, 26 lbs Allows upright storage and easy hook up on hard surfaces	\$389

# PALLET FORK & GRAPPLE



[Click for Video](#)

Danusers pallet forks are designed with a heavy duty rail style frame, which supports up to 6000 lbs. These feature excellent operator visibility through the frame, brick guard and grapple. Forks have flip up style tine adjustments. Grapple can be locked and stored for normal pallet fork use, no tools required. Grapple kits include hoses with flat faced couplers. Front-End Loader hose kit available.

- \* 3500 lb. or 5500 lb. tine capacity
- \* 48" tine length
- \* Maximum grapple opening of 55"
- \* Produces up to 9500 lbs. of force to secure loads
- \* 2 year warranty on forks, 1 year on grapple

MODEL	DESCRIPTION	WEIGHT	LIST PRICE
DU12017	Skid-Steer full brick guard	166 lbs.	\$1129
DU12030	Skid-Steer walk-thru brick guard	162 lbs.	\$1129
DU12035	Euro/Global loader	148 lbs.	\$1189
DU12057	Fork tine set 1-1/4" x 48" 3500 lb capacity	179 lbs.	\$1019
DU12059	Fork tine set 1-5/8" x 48" 5500 lb capacity	230 lbs.	\$1229
DU12085	Pallet fork grapple kit for Danuser frame design	150 lbs.	\$2319
DU170500	Pallet fork grapple kit for other frame design	150 lbs.	\$2319

# GRAPPLE

## SATG: Sweep Action Tine Grapple



[Click for Video](#)

The Sweep Action Tine Grapple (SATG) is described as one tool, with many applications, demanded for clearing rocks, brush, wood, metal, and other material. The patent pending design keeps the front rake of the sweep clamp open during use until the rear section of the clamp is either closed or contacts the material being handled. The cylinder then overcomes the spring pressure causing the front rake to rotate towards the bucket in a sweeping motion moving material in, and retaining it in the bucket.

- \* Available in three sizes 72", 78" & 84"
- \* Bucket Depth 31"
- \* Grapple opening 37"
- \* 44 Degrees of sweeping action
- \* Tine material 1/2" thick steel
- \* Tine spacing 5"
- \* Universal skid steer quick attach brackets
- \* Includes hydraulic hose and "Connect Under Pressure" flat face couplers

MODEL	DESCRIPTION	WEIGHT	PRICE
SATG72	72" wide Sweep Action Grapple	847 lbs.	\$7659
SATG78	78" wide Sweep Action Grapple	893 lbs.	\$8699
SATG84	84" wide Sweep Action Grapple	923 lbs.	\$8949

# GRAPPLE BUCKET LOW PROFILE SKID STEER



Model LPSB



Model LPTG

WorkSaver's NEW Low Profile Grapple Buckets come in two different styles, Tine Bottom and Solid Bottom. Available in four models, all with a split grapple assembly with 2 hydraulic cylinders with cylinder guards to protect cylinders and hoses. These NEW Grapple Buckets are manufactured to attach to any skid steer with the "universal" skid steer quick attach mounting system. Comes with hydraulic hoses and "connect under pressure" flat faced couplers.

- \* 72" & 84" overall width
- \* Split grapple assembly
- \* Tine grapple has 7 1/2" spacing
- \* Scrap bucket cutting edge is pre-drilled to accept optional replaceable bevelled cutting edge
- \* Complete with "connect under pressure" flat faced couplers
- \* Two 2"x10" Hyd cylinders with cylinder guard protection
- \* Universal skid steer quick attach mounting bracket

MODEL	DESCRIPTION	WEIGHT (LBS.)	LIST PRICE
LPTG72A	72" Low profile tine grapple bucket	820 lbs.	\$6499
LPTG84A	84" Low profile tine grapple bucket	898 lbs.	\$7799
LPSB72A	72" Low profile scrap grapple bucket	760 lbs.	\$6699
LPSB84A	84" Low profile scrap grapple bucket	855 lbs.	\$8259

## **OPTIONS: FOR LPSB72 OR LPSB84 SCRAP BUCKET**

MODEL	DESCRIPTION	LIST PRICE
811790	3/4" x 8" x 72" reversible cutting edge & hardware	\$859
811870	3/4" x 8" x 84" reversible cutting edge & hardware	\$999

# MANURE FORKS



The Worksaver Manure Fork was designed for picking up manure, matted straw or other loose materials. Excellent for handling silage, units with upper grapple helps secure load during transport improving productivity. All units have forged cranked tines for extended service life.

Units come with Universal Skid Steer quick attach plate.

- \* Available in 66" & 72" widths
- \* Overall depth 31" / 787mm
- \* Overall height 21.5" / 546mm
- \* Useable tine length 27" / 686mm
- \* Tine spacing 7.5" / 190mm
- \* Number of tines 66" - 9, 72" - 10

MODEL	DESCRIPTION	WEIGHT	LIST PRICE
MS66S	Manure fork 66" wide	240 lbs.	\$2259
MS72S	Manure fork 72" wide	270 lbs.	\$2349

# PALLET FORKS



- \* **Clamp-On to material loader Bucket**
- \* **Available in three sizes**
- \* **No tools required to install**

MODEL	DESCRIPTION	WEIGHT	PRICE
BF1000	1000 lb capacity, 35" usable length, pair.	78 lbs.	\$869
BF2000	2000 lb capacity, 42" usable length, pair.	102 lbs.	\$969
BF4000	4000 lb capacity, 42" usable length, pair.	168 lbs.	\$1599



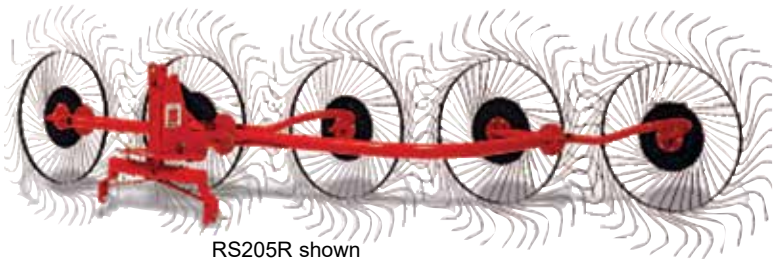
SSPF448

- \* **1-1/4" x 4" solid forks with spring loaded toggle latch for positioning**
- \* **Skid steer mount units have step through design**

MODEL	DESCRIPTION	WEIGHT	LIST PRICE
SSPF442	Pallet forks 4000 lb. rated, 42" long to fit skid steer or tractor loaders with universal skid steer attach system	345 lbs.	\$2079
SSPF448	Pallet forks 4000 lb. rated, to fit skid steer or tractor loaders with universal skid steer attach system	359 lbs.	\$2079
GLPF5548	Pallet forks 5500 lb. rated, 1-1/2" x 4" 48" long to fit Global / ALO mount	393 lbs.	\$2299
SSPF242	Pallet forks 2400 lb. rated, 42" long to fit loaders with universal skid steer attaching systems	290 lbs.	\$1659

# FINGER WHEEL RAKES

## 3 Pt. Single Side



RS205R shown



RS202R shown

For tractors from 16 to 80 HP engine and up. Category 1 - 3 Pt. hitch. Finger rake wheels are mounted on molded steel hubs with tapered bearings. Lifts hay gently, and evenly from undulating terrain. May also be used for raking, turning or spreading swathes. Its fast working speed makes it possible to cover a large acreage quickly. Having no gears, chains or other drive components to wear out, the finger wheel rake is truly a low maintenance tool.

- \* **HP Requirements: 16-80**
- \* **Cat. I 3 Pt. hitch**
- \* **Molded steel hubs with greasable tapered bearings**
- \* **May also be used for raking, turning or spreading swathes**
- \* **Lifts hay gently, even from undulating terrain**

MODEL	NUMBER WHEELS	MAXIMUM WORKING WIDTH	TRACTOR HP REQ'D	WEIGHT	LIST PRICE
RS202R	2	4' 3"	16 - 30	194 lbs.	\$1639
RS203R	3	6' 5"	16 - 30	291 lbs.	\$2419
RS204R	4	8' 6"	30 - 80	388 lbs.	\$3239
RS205R	5	11'	30 - 80	495 lbs.	\$3959
RS206R	6	12' 9"	30 - 80	602 lbs.	\$4729



# BAT RAKE



Enorossi's Bat Rake is the new standard for Hay Rake Caddies. Available in 8, 10 and 12 wheel sizes, the Bat Rake comes in a Single Wheel configuration allowing each individual raking wheel to follow all types of ground contours. Equipped with 60" diameter raking wheels and 7.5 mm tines, the Bat Rake's raking wheels are arguably the best raking wheel on the market today. The heavy spring tines, provide for excellent wear and strong resistance to breakage. The heavy-built frame and high profile of the Bat Rake give a full 32" of ground clearance allowing it to rake in all types of ground contours in heavy hay conditions.

- \* Independent rake wheel arms to follow all ground contours
- \* High Clearance - 32" of Ground Clearance
- \* Perfect for heavy hay
- \* Easy windrow width adjustment
- \* Heavy built and low maintenance
- \* 60" raking wheels with 7.5 mm tines
- \* Raking wheels sit at a 7° angle to create fluffier windrows and leave less hay in your fields
- \* Heavy built and low maintenance
- \* 205/70-15 tires standard
- \* Heavy tubular frame with strategically placed bracing
- \* Molded steel hubs with tapered roller bearings
- \* Double action hydraulic cylinder
- \* Compact design
- \* Optional Kicker Wheel available

MODEL	# WHEELS	MAXIMUM		
		WORKING WIDTH	WEIGHT	LIST PRICE
BAT8-H	8	18' 5"	1445 lbs.	\$14,199
BAT10-H	10	21' 8"	1644 lbs.	\$15,099
BAT12-H	12	24' 3"	1886 lbs.	\$16,999

## OPTIONS:

MODEL	DESCRIPTION	LIST PRICE
RO180-32136	Kicker Wheel Attachment	\$1199
RO180-32659	Wind Guard for Rake Wheels (Sold Individually)	\$80

# ROTARY RAKE



Enorossi's Single & Double Rotary Rakes comes standard with pneumatic pivoting wheels and heavy tubular tine arms that are removable for transport. Rotary rakes come with oil bath gearbox and cardan shaft with slip clutch. Lateral deflector for windrow formation and the HIGHSPACE system allows the machine to be raised up to 50cm in order to drive over windrows

- \* 11'6" to 25'6" Max. Working Width
- \* Extra heavy duty frame and components
- \* Hydraulic transport lift standard
- \* Great economic option for those smaller-range tractors and hilly conditions
- \* Heavy-duty, sealed oil bath gearbox

MODEL	# WHEELS	WORKING WIDTH	WEIGHT	LIST PRICE
RR350	9	11.6 ft	827 lbs.	\$9499
RR420EVOPT	11	13.9 ft	1370 lbs.	\$14,799
ENODUO780	22	23/25.6 ft	3951 lbs.	\$39,399

# COMBI-RAKE RV

## 3 Pt. Hitch

Fransgård

[Click for Video](#)



The Fransgård Basket type rake is designed to deliver fast and even drying of your crop of hay. The pickup tines are lowered into working position by centrifugal force and follow the terrain contour in a uniform fashion. This rake can both windrow or act as a tedder.

- \* Transport Width: 8 ft 2in
- \* Working Speed: 8 to 15 km
- \* HP Requirement: 30 HP
- \* Number of tines: 10 per rotor
- \* Tires: Two 15 x 6.00
- \* CAT I, 3 Pt. hitch
- \* 540 RPM PTO with slip clutch

MODEL	DESCRIPTION	WORKING WIDTH	WEIGHT	LIST PRICE
RV300	Rake / Tedder 3 Pt.	10' (300cm)	785 lbs.	\$9679

# HAY HANDLING ATTACHMENTS

## Bucket Mount



BBSF20



CBSF2000

[Click for Video](#)



CBSF3028

MODEL	DESCRIPTION	WEIGHT	LIST PRICE
BBSF20	2,000 Lb. Bolt-on Bucket Bale Spear Single tapered forged tine for use with tight center bales	68 lbs.	\$699
CBSF2000	2,000 Lb. Clamp-on Bucket Bale Spear Chain and turnbuckle system. 42" long Single tapered forged tine for use with tight center bales.	79 lbs.	\$819
CBSF2028	3000 Lb. Clamp-on bucket Uses chain and turnbuckle system. Two 42" tapered forged spears	102 lbs.	\$1269
CBSF3028	4000 Lb. Clamp-on bucket THREE bales spear. Uses 2 chains & turnbuckle system. Three 42" tapered forged spears	185 lbs.	\$1839

# HAY HANDLING ATTACHMENTS

## Front Loader or Skid Steer



FLBS3000



FLBS2200

[Click for Video](#)

MODEL	DESCRIPTION	WEIGHT	LIST PRICE
FLBS2200	2200 lb. rated Single Loader Bale Spear Single 42" tapered forged spear. Requires Optional Interfacing. Quick Attach Brackets (not included)	121 lbs.	\$989
FLBS3000	3000 lb. rated Dual Loader Bale Spear Two 42" forged tapered Spears. Requires Optional Interfacing Quick Attach Brackets (not included)	136 lbs.	\$1169



SSB3000

MODEL	DESCRIPTION	WEIGHT	LIST PRICE
SSB3000	Skid Steer Double Bale Spear. Rated at 3000 lbs. Bolt-in tapered spears have usable length of 42". Designed to fit "universal" skid steer quick attach system	146 lbs.	\$1329

# HAY HANDLING ATTACHMENTS

AL0 GLOBAL STYLE  
QUICK ATTACH LOADERS



[Click for Video](#)



GLB2200



GLB3000

MODEL	DESCRIPTION	WEIGHT	LIST PRICE
GLB2200	2200 lb. Single Bale Spear 42" tapered forged spear with two 1" x 8-1/2" balance spikes	114 lbs.	\$1099
GLB3000	3000 lb. Dual Bale Spear Two 42" forged tapered spears, spaced 30" apart	128 lbs.	\$1299

# HAY HANDLING ATTACHMENTS

## 3 Pt. Hitch Only



[Click for Video](#)

HHU2045



BSF1523

### BALE SPEAR

MODEL	DESCRIPTION	WEIGHT	LIST PRICE
BSF1523	1,800 Lb. 3 Pt. Bale Spear Cat. 1 & 2. Single spear is 44" tapered forged spear for excellent penetration into the bale, w/welded balance spears.	60 lbs.	\$539

### HAY HANDLER / BALE UNROLLER

MODEL	DESCRIPTION	WEIGHT	LIST PRICE
HHU2045	2,000 lb. 3 Pt. Hay Handler/Unroller 4' to 5' width & up to 6' diameter bales. Cat. 1, 2 & 3. 3 Narrow Quick Hitch. Use 2.5" x 8" Hydraulic Cylinder (Not included.)	310 lbs.	\$2159

# HAY HANDLING ATTACHMENTS

## Tractor Loader & Skid Steer Mount Bale Squeeze



GLBH2072



SSBH2072

The GLBH2072/SSBH2072 Bale Squeeze for up to 2200 lb. features smooth curved clamping arms to prevent puncturing wrapped bales, yet securely clamping 4' to 6' bales during transport. Available in Universal Skid Steer quick attach and Euro/Global/Alo quick attach.

MODEL	DESCRIPTION	WEIGHT	LIST PRICE
GLBH2072	Round Bale Squeeze with Euro/Global/Alo Quick Attach. Includes hydraulic cylinder, less hydraulic hoses	525 lbs.	\$5399
SSBH2072	Round Bale Squeeze with Universal Skid Steer Quick Attach. Includes hydraulic cylinder, less hydraulic hoses	572 lbs.	\$5479



# HAY HANDLING ATTACHMENTS RW Spin Off



[Click for Video](#)

Designed as an efficient hay management tool for moving and feeding round bales. The Spin Off hydraulically rotates the bale, unwinding the hay into a wind-row.

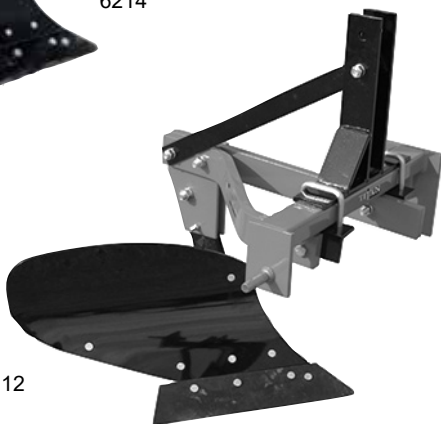
- \* Eliminates wasted hay, only unroll what cattle will clean up in one hour
- \* Easy operation from cab of tractor or skid steer
- \* 3 Pt. hitch, front tractor loader or skid steer mount available
- \* Hydraulically driven for better operator control
- \* Rotates in both directions for easy feeding
- \* Cushion valve in the motor provides protection for hydraulic components
- \* 44" forged tapered spear
- \* GPM Requirement 8-10 GPM. Min. 1500 PSI
- \* 3 Pt. & skid steer models include hyd. hoses, tractor loader mount, less hyd. hoses. Less hyd. couplers

MODEL	DESCRIPTION	WEIGHT	LIST PRICE
FSO906	3 Pt Hitch Cat II/III Can be converted to Cat 1 with bushings & Cat 1 pins, (not included). Includes 2 hyd hoses, less couplers	250 lbs.	\$4669
FLSO907	Front tractor loader mount Less hyd hoses, less loader mounting brackets Optional brackets for most loader makes available	370 lbs.	\$5129
SSSO908	Skid Steer Mount Includes "Universal" skid steer quick attach bracket. Includes 2 hyd hoses (less couplers)	325 lbs.	\$5589

# 3 PT. MOLDBOARD PLOW



6214



6112

These 3 Pt. hitch Cat.1 moldboard plows are ideal for the small acreage plowing. For sub compact and compact tractors. Made from heavy 1" x 4" steel bar with replaceable shares and moldboards. Optional depth control and coulter kits available.

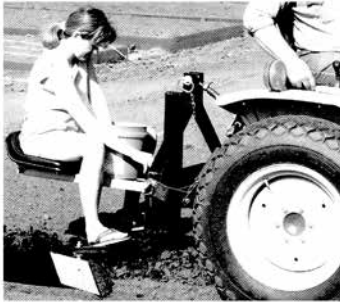
MODEL	DESCRIPTION	WEIGHT	LIST PRICE
6112	One 12" Bottom Plow	290 lbs.	\$1699
6114	One 14" Bottom Plow	300 lbs.	\$1699
6214	Two 14" Bottom Plow	490 lbs.	\$2859
6216	Two 16" Bottom Plow	520 lbs.	\$2859

## **OPTIONS:**

MODEL	DESCRIPTION	LIST PRICE
MP080017	Depth Gauge Kit	\$449
MP080018	Coulter Blade Kit	\$449

One Coulter Blade Kit Required per Bottom

# POTATO Planter, Hiller & Digger



Planting



Hilling



Digging



This unique implement will do all three tasks with the greatest of ease. Attach the seat and rear cover board and plant your potatoes with ease. In mid-season bolt on the 18" sweep and hill the potatoes. At harvest time, go down the centre of the row with the sweep and watch the potatoes roll out on either side. Works like a dream.

- \* Cat. 1 3 Pt. hitch
- \* HP Requirements: 25

MODEL	DESCRIPTION	WEIGHT	LIST PRICE
1700166	3-in-1 Potato Planter, Hiller and Digger	170 lbs.	\$1299

# SINGLE SHANK FURROWER & SUB SOILER 3 Pt. Hitch



BSM100

TAR RIVER IMPLEMENTS offers a combination implement, that will dig a furrow or by changing the bottom furrow shovel to a sub soiler point can be used to fracture the soil for better air and water penetration. For tractors up to 30 HP

- \* CAT. I 3 Pt. Hitch
- \* Adjustable Digging Depth
- \* Heavy Duty Frame
- \* Shear pin protected
- \* c/w Standard 14" Furrower Shovel
- \* c/w Reversible Sub Soiler Point

MODEL	DESCRIPTION	WEIGHT	LIST PRICE
BSM100	Combo Furrower / Sub Soiler	88 lbs.	\$469

# HILLER / RIPPER



Compact Cat 1 3Pt hitch Hiller/Ripper

- \* 1 row hiller
- \* Adjustable Row Width with hi-low hitch
- \* Friction bearings and 18" disc blades
- \* Available with or without shank

MODEL	DESCRIPTION	WEIGHT	LIST PRICE
HKCI	Hiller / Ripper	192 lbs.	\$1549

# POSTHOLE DIGGERS 3 Pt. PTO & Hydraulic



500WS PHD



624H PHD

[Click for Video](#)



720 PHD



102165  
Parking stand



925 PHD



DFK50-70-90



924H PHD



Fish Tail Point

# POST HOLE DIGGERS

## 3 Pt. PTO & Hydraulic



- \* Heavy duty tubular steel stock on yoke & booms
- \* Large 2" round output shaft has two bolt auger connection
- \* Shear pin protected & shielded PTO drivelines.
- \* Down force kits available
- \* 3 position boom adjustment on PTO models
- \* 5 year limited gearbox warranty
- \* Trouble free tapered roller bearings & spring loaded seals
- \* Model 300 requires up to 25 HP
- \* Model 500WS requires 20-35 HP
- \* Model 720 requires 25-65 HP
- \* Model 925 requires 35-95 HP
- \* Parking Stands available.
- \* 924HC/EURO fits directly onto ALO loaders
- \* Model 624H Includes hydraulic hoses.
- \* Models 724H, 924H, 924HC/EURO. Do Not Include hydraulic hoses

MODEL	GEAR RATIO	HITCH SIZE	AUGER LENGTH	AUGER USAGE	WEIGHT	LIST PRICE
<b>3 PT. HITCH 540 RPM PTO</b>						
300	3:1	Cat. 0	30"	9" - 12"	149 lbs.	\$1559
500WS	3:1	Cat. 1 and 2	42"	6" - 12"	160 lbs.	\$1589
720	3.18:1	Cat. 1 and 2	42"	6" - 24"	206 lbs.	\$2099
925	4.1:1	Cat. 1 and 2	42"	6" - 30"	210 lbs.	\$2599
<b>HYDRAULIC DRIVE, Requires 10-20 gpm @ 1500-3000 psi</b>						
624H	3Pt. hitch	Cat 1 & 2 (inc. hyd hoses)	6" - 24"	182 lbs.	\$3799	
724H	Loader	(bolt-on side plate)	6" - 24"	127 lbs.	\$3499	
924H	Skid steer	quick attach mount	6" - 24"	210 lbs.	\$3599	
924HC	ALO loader	mount	6" - 24"	220 lbs.	\$3449	

### AUGERS

MODEL	DESCRIPTION	WEIGHT	LIST PRICE
9SF	9" Single flight 30" long	28 lbs.	\$359
12SF	12" Single flight 30" long	32 lbs.	\$369
6HDDF	6" Double flight 42" long	32 lbs.	\$439
9HDDF	9" Double flight 42" long	47 lbs.	\$489
12HDDF	12" Double flight 42" long	54 lbs.	\$569
14HDDF	14" Double flight 42" long	76 lbs.	\$699
18HDDF	18" Double flight 42" long	98 lbs.	\$1049
24HDDF	24" Double flight 42" long	128 lbs.	\$1359
30HDDF	30" Double flight 42" long	190 lbs.	\$1739

#### OPTIONS:

MODEL	DESCRIPTION	WEIGHT	LIST PRICE
170705	12" Auger Extension (extends 42" augers to 54")	16 lbs.	\$379
DFK50	*Down force kit for model 500WS	39 lbs.	\$959
DFK70	*Down force kit for model 720, 624H	40 lbs.	\$959
DFK90	*Down force kit for model 925	42 lbs.	\$959
*Kit contains hydraulic cylinder & hoses			
102160	Parking stand for model 300	11 lbs.	\$229
102165	Parking stand for model 500/720	12 lbs.	\$259
102170	Parking stand for model 925	13 lbs.	\$279

*Weights indicated are base machine weight, not shipping weight*

# HYDRAULIC AUGER SYSTEMS

## EP Series



[Click for Video](#)



The new EP series of drive heads is built with a Danuser planetary, designed and manufactured by Danuser's own engineering team, creating a planetary with up to 42% more output torque than the competition. These units range from 6-35 GPM, up to 3500 PSI, and up to 4426 ft lbs of torque. Mounting is available for skid steer, front-end loader, excavator, and backhoe. 5 year warranty on drive unit, and lifetime covering output spindle pullout

- \* Designed with Danusers own planetary
- \* Compatible with 2" hex auger bits
- \* Skid steer mount has both centre and offset mounts
- \* Hoses routed to the top of the drive unit, allowing deeper digging with better hose protection
- \* Numerous options for augers available
- \* Does not include hoses.

MODEL	TYPE #	GPM REQUIRED	MAX AUGER	WEIGHT	LIST PRICE
DU180405	EP615	6-15 GPM	24"	139 lbs	\$3399
DU180406	EP1020	10-20 GPM	30"	139 lbs	\$3599
DU180407	EP1530	15-30 GPM	36"	142 lbs	\$3799
DU180408	EP2035	20-35 GPM	36"	150 lbs	\$4199

### Attachment Options

MODEL	DESCRIPTION	WEIGHT	LIST PRICE
DU180415	Skid steer quick attach mount centre & offset	156 lbs.	\$899
DU190052	Front end loader, Euro/Global offset	108 lbs.	\$969
DU192015	Universal kit, requires welding	65 lbs.	\$659
DU190203	Bolt-on mount	43 lbs.	\$569



# HYDRAULIC AUGER SYSTEMS



Scan here to choose the right  
Auger  
for you!

[Click for Video](#)

## CAST HEAD AUGERS - 2" HEX, Difficult Ground Conditions

MODEL	DESCRIPTION	WEIGHT	LIST PRICE
DU10657	6" double flight 48" long	48 lbs.	\$799
DU10663	9" double flight 48" long	89 lbs.	\$1239
DU10669	12" double flight 48" long	117 lbs.	\$1309
DU10678	18" double flight 48" long	168 lbs.	\$1949

## FABRICATED AUGERS - 2" HEX, Light to Moderate Ground Conditions

MODEL	DESCRIPTION	WEIGHT	LIST PRICE
DU10609	9" double flight 48" long	85 lbs.	\$789
DU10615	12" double flight 48" long	115 lbs.	\$889

## ROCK DRILL - 2" HEX

MODEL	DESCRIPTION	WEIGHT	LIST PRICE
DU10739	2" x 3' rock drill	30 lbs.	\$689

## WOBBLE AUGER

The Wobble Auger produces a hole with no loose dirt in the bottom or around the top of the hole. The offset shaft creates the hole, and the sides are spiral and checked hardface steel. Use on dirt, asphalt, sand, compacted rock, clay and embedded rock. The Wobble auger is for use with hydraulic auger drives only.



[Click for Video](#)

MODEL	DESCRIPTION	WEIGHT	LIST PRICE
DU20600	4" auger with 2" hex shaft	58 lbs.	\$689
DU20603	6" auger with 2" hex shaft	86 lbs.	\$869
DU20606	9" auger with 2" hex shaft	122 lbs.	\$1329

More augers and options available.  
Please call for price and availability

# HYDRAULIC AUGER SYSTEMS

## EP Series



HOSE KIT



HEX - 2"  
EXTENSION



HEX - 2" RD  
ADAPTOR

### HOSE KITS

MODEL	DESCRIPTION	LIST PRICE
DU196027	1/2" hose kit, 108" with flush face couplers	\$439
DU196025	1/2" hose kit, 108", no couplers	\$299
DU196056	1/2" hose kit for loader, 25' with flush face couplers	\$759

### ADAPTORS

MODEL	DRIVE UNIT	AUGER	WEIGHT	LIST PRICE
DU10921	2" hex	2-9/16" round	18 lbs.	\$459
DU10922	2" hex	2" round	18 lbs.	\$419
DU10924	2-9/16" round	2" round	12 lbs.	\$289
DU10925	2" round	2" hex	12 lbs.	\$249

### EXTENSIONS

MODEL	SIZE	LENGTH	WEIGHT	LIST PRICE
DU10910	2" hex	12"	20 lbs.	\$329
DU10911	2" hex	24"	32 lbs.	\$399

**More augers and options available.  
Please call for price and availability**

# POST DRIVER

## T3 Series



[Click for Video](#)

The T3 Post Driver is a small driver that delivers big time results. The top of the post is fully contained to prevent kick out and protected from damage by the strike plate. Use your tractor, skid-steer, mini-ex, loader, or backhoe to carry the weight of the driver. There are several mounting options, including an offset skid-steer quick attach which allows the operator to drive parallel to the fence line, and a bolt-on/weld-on bracket that mounts to almost any flat surface. Use down pressure from the host vehicle to drive more posts in the ground faster. The T3 Driver includes one bolt-on/weld-on bracket, hoses and flat face ISO couplers for simple plug and play operation. This is an ideal post driver for most farmers, ranchers, fencing contractors, and rental yards.

- \* Drives T-Post and up to 3" OD pipe
- \* 2000 lbs per stroke impact force
- \* 6 strokes per second of 10 lb hammer weight
- \* Optional tilt bracket allows for 20° adjustments left or right

MODEL	DESCRIPTION	WEIGHT	LIST PRICE
DU21300	T3 driver	116 lbs.	\$3649

### OPTIONS:

MODEL	DESCRIPTION	WEIGHT	LIST PRICE
DU21305	T3 Driver skid-steer quick attach mount	117 lbs.	\$489
DU21355	T3 Driver skid-steer offset quick attach mount	230 lbs.	\$1319
DU21303	T3 Driver euro/global offset quick attach mount	126 lbs.	\$649
DU21302	T3 mount bracket bolt-on or weld-on	4 lbs.	\$39
DU21301	Tilt bracket assembly	15 lbs.	\$299

# HAMMER POST DRIVER



[Click for Video](#)

Drives fence posts, sign posts, guard rails, median dividers, tent stakes, T-posts, pipe fence, and railroad ties with ease. With this innovative design, you can achieve a full stroke with every cycle or utilize the short stroke feature to fine tune your depth. The Hammer DOES NOT operate with springs, hydraulic cylinder, or return line. Grapple option can be added to any model for a true one-person operation (does not include t-posts). The grapple option will allow the operator to grab the post off the ground, load it into the machine, and drive it in the ground without leaving the seat. CB40 Breaker Kit is available to convert any Hammer post driver into a concrete breaker.

- \* **Models available for Skid-Steer, Front-End loader, and Euro/Global**
- \* **Drives anything from T-Post up to railway ties**
- \* **82,000 lbs per stroke impact force**
- \* **40" stroke with 300 lb hammer weight at 35 strokes per minute**
- \* **Optional tilt bracket allows for 20° adjustments left or right**
- \* **Loaded versions include tilt, grapple and additional 200 lb weight kit**
- \* **Requires 12 - 30 GPM**

MODEL	DESCRIPTION	WEIGHT	LIST PRICE
DU21000	For skid steer	915 lbs.	\$11,399
DU21001	For skid steer with grapple	955 lbs.	\$12,449
DU21002	For skid steer with tilt	1005 lbs.	\$15,299
DU21003	For skid steer with tilt & grapple	1045 lbs.	\$16,399
DU21003L	For skid steer (loaded)	1245 lbs.	\$17,199
DU21009L	For loader (loaded)	1241 lbs.	\$17,399
DU21013L	For euro/global (loaded)	1241 lbs.	\$17,599

## OPTIONS:

MODEL	DESCRIPTION	WEIGHT	LIST PRICE
DU21278	Concrete breaker kit	534 lbs.	\$3899
DU21163	Hammer additional 200 lb weight kit	220 lbs.	\$669
DU21149	T-post adaptor	22 lbs.	\$279
DU21212	Strike plate - horseshoe	20 lbs.	\$139
DU21395	Strike plate - donut	25 lbs.	\$139

# HAMMER CONCRETE BREAKER



[Click for Video](#)

The Danuser Hammer model CB40 has a 40" drop hammer design that breaks up to 9" thick reinforced concrete. This low maintenance concrete breaker achieves a full stroke with every cycle, delivering 82,000 lbs of impact force. An innovative anti-dry fire feature prevents unnecessary firing which improves the durability of the machine. This is a great product for the industrial or commercial job site. Ideal for the demolition of parking lots, foundations, flooring, sidewalks, curbs, and more!

- \* Works on any Skid-Steer with 12-30 GPM
- \* Smooth operation with no shock back to the vehicle
- \* Less maintenance with drop hammer design
- \* CB40 Breaker Kit available to convert any Hammer post driver into a concrete breaker

MODEL	DESCRIPTION	WEIGHT	LIST PRICE
DU21017	Concrete breaker for skid steer	1080 lbs.	\$12,799

# POST DRIVERS

## 3 Pt. Hitch



[Click for Video](#)

Installing new fencelines? Replacing old ones? **WORKSAVER** post drivers are built to last with quality features designed to improve operator convenience, versatility, production and performance in all kinds of conditions. Available with either manual adjustment crank or hydraulic cylinder controlled for post alignment

### WITH MANUAL ADJUSTMENT

	HPD16	HPD22Q	HPD26Q
Maximum post size	5" x 9'	8 3/4" x 10'	11" x 10'
Impact at full stroke	32,000 lbs.	80,000 lbs.	110,000 lbs.
Impact at half stroke	16,000 lbs.	40,000 lbs.	55,000 lbs.
Hydraulic requirements	3 - 4 gpm	6 - 8 gpm	12 gpm
Minimum tractor size	20 - 22 HP	30 - 35 HP	50 - 55 HP
Hitch Type	Cat. I or II	Cat. I or II	Cat. II
Weight	600 lbs.	795 lbs.	N/A
<b>LIST PRICE</b>	<b>\$6479</b>	<b>\$8899</b>	<b>N/A</b>

### WITH HYDRAULIC ADJUSTMENT

	HPD16SHC	HPD22QSHC	HPD26QSHC
Tilt Adjustment	- Front/Back	17° each way from vertical	
	- Side/Side	20° each way from vertical	
# of Tilt Cylinders	-Two (2)	3" x 6"	
Weight	875 lbs.	1035 lbs.	1215 lbs.
<b>LIST PRICE</b>	<b>\$11,299</b>	<b>\$13,599</b>	<b>\$16,499</b>

# POST DRIVERS

## Skid Steer



Hydraulic Adjust



Installing new fence lines? Replacing old ones? Setting post for livestock pens, feedlots, vineyards, etc. save time and eliminate backbreaking labour with a **WORKSAVER** Skid steer Post Driver.

### HYDRAULIC ADJUSTMENT & UNIVERSAL STYLE QUICK ATTACH BRACKET

(SPECIAL Order, not stocked)

	HPD16HSS	HPD22QHSS	HPD26QHSS
Tilt Adjustment	- Front/Back 17° each way from vertical - Side/Side 20° each way from vertical		
# of Tilt Cylinders	-Two (2) 3" x 6"		
Maximum post size	5" x 9'	8-3/4" x 10'	11" x 10'
Impact at full stroke	32,000 lbs.	80,000 lbs.	110,000 lbs.
Impact at half stroke	16,000 lbs.	40,000 lbs.	55,000 lbs.
Hydraulic requirements	3 - 4 gpm	6 - 8 gpm	12 gpm
Mount Type	Skid Steer	Skid Steer	Skid Steer
Weight	950 lbs.	1245 lbs.	1429 lbs.
<b>LIST PRICE</b>	<b>\$12,999</b>	<b>\$15,599</b>	<b>\$18,499</b>

**NOTE:** Return line package required depending on make and model of skid steer (order extra), please advise model of skid steer when ordering post driver return line.

# MIXER - HYDRAULIC Skid Steer Mount



The **WORKSAVER** skid steer mixer has direct hydraulic drive of the gearbox which eliminates chain and sprocket maintenance and is ideal for all mixing applications and allows operator to mix, transport and place the concrete in the right location more efficiently. This unit has 5 Cu. Ft. capacity (1 bag mix) capacity of concrete.

## SKID STEER MOUNT

- \* Fits "Universal Style" skid-steer attachment system
- \* Hydraulically driven gear box
- \* Minimum hydraulic flow required 8 GPM
- \* Gear ratio 3.18 : 1
- \* All welded steel drum construction with internal paddles for uniform mixing and clean dumping
- \* Includes flow control valve (On-Off) for easy operation
- \* Hydraulic hoses included with connect under pressure flat faced couplers

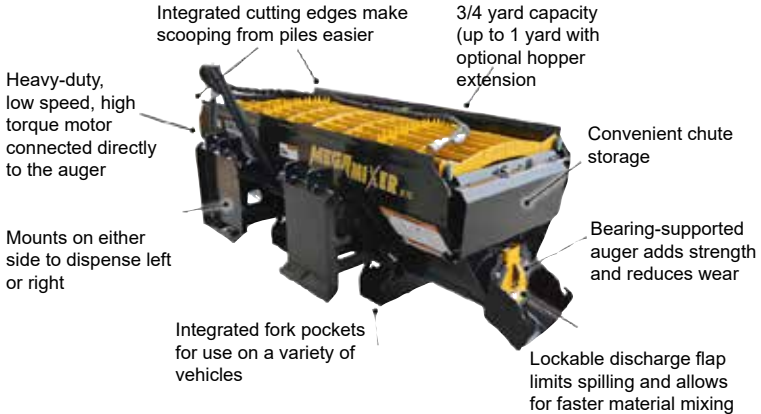
MODEL	DESCRIPTION	WEIGHT	LIST PRICE
SS590	Skid steer hydraulic	395 lbs.	\$8299



# MEGA MIXER



[Click for Video](#)



Eliminate backbreaking labor with the Danuser Mega Mixer! From concrete to livestock feed, mix, scoop, and dispense a wide variety of materials with ease. With adjustable mounting brackets and pallet fork tine slots on both sides, conveniently dispense left or right. Built-in cutting edges and a robust design make it well-suited for scooping from piles. Comes standard with dual safety grates, including integrated bag busters, that can be opened individually from either side.

- \* Includes two 2' multi-link chutes which can be linked together
- \* 3/4 yard capacity (up to 1 yard with optional hopper extension)
- \* Bearing supported auger
- \* Heavy duty, low speed, high torque motor connected directly to auger
- \* Integrated cutting edges make scooping from piles easier
- \* Supports up to 25GPM, 3500 PSI hydraulics
- \* Includes hoses and flat face couplers

MODEL	DESCRIPTION	WEIGHT	LIST PRICE
DU170001	Mixer with all steel auger	898 lbs.	\$10,999

## OPTIONS:

MODEL	DESCRIPTION	WEIGHT	LIST PRICE
DU170095	Hopper extension	121 lbs.	\$1019
DU170100	24" Chute up to S/N 1280	15 lbs.	\$109
DU170103	36" Chute up to S/N 1280	22 lbs.	\$129
DU180700	24" Chute for S/N 1281+	15 lbs.	\$109
DU180701	36" Chute for S/N 1281+	22 lbs.	\$129
DU170110	5' Funnel with 6" hose	24 lbs.	\$849

# PYTHON WIRE WINDER & UNROLLER



[Click for Video](#)

The Danuser Python Wire Winder takes the bite out of rolling fence wire. This can roll over 1 km of barbed wire, or 10 km of smooth wire. The 2" hex connection mounts to existing hydraulic auger drives



- \* 2 tie wire locations
- \* 10 slot locations to start wire
- \* Tool-less operation
- \* Roll multiple wires at once

MODEL	DESCRIPTION	WEIGHT	LIST PRICE
DU170610	Python Wire Winder	90 lbs.	\$889

The Danuser Python Wire Unroller easily unrolls new and Python-rolled spools of barbed and smooth wire for faster fencing. This connects to a 2" receiver hitch, with optimal clearance for open tailgates.



- \* Controlled spinning to prevent backlash
- \* Angled frame gives an extra 9" of ground clearance
- \* Built-in wire tensioner cleats for stretching and holding wire
- \* Contains rebar and T-post straightener for fence repair

MODEL	DESCRIPTION	WEIGHT	LIST PRICE
DU180606	Python Wire Unroller	69 lbs.	\$669



# SPRING SHANK CULTIVATOR

# FIELD KING



Designed for use in stone and root obstructed soil, these cultivators are designed for the toughest operations. Used for loosening and aerating soil to a depth of 9", and allows seed beds to be prepared quickly and economically. Individually spring loaded tines allow other tines to maintain correct depth if a hidden object is hit, as well as protecting the shank from possible breakage. Additional weight can be fit into frame, if required.

MODEL	# OF TINES	TILLAGE WIDTH	TRACTOR HP	WEIGHT	LIST PRICE
FKSLOEHD7	7	5' 1"	35-45	397 lbs.	\$1899
FKSLOEHD9	9	6'	40-50	595 lbs.	\$2199
FKSLOEHD11	11	7' 6"	55-65	760 lbs.	\$2699

# DISC HARROWS

## "THE" Series

### 3 Pt. Hitch



The Monroe Tufline THE series 3 Pt. hitch disc harrows are designed for 25HP to 35HP tractors. Available in 5'6", 6'4" & 6'8" cutting widths with category I 3 Pt. hitch. 3" square tube frame, 1" square high strength steel gang axles, 7 1/2" or 9" blade spacing & 18" notched disc blades. Sealed gang bearings, lever adjusting gang angles. Optional blade scrapers are available.

- \* 3" Square steel tube frame
- \* Cat I, 3 Pt. hitch
- \* 18" Notched disc blades
- \* 7 1/2" or 9" blade spacing
- \* Adjustable gang angle
- \* 1" High strength gang axle
- \* Sealed flange mounted gang ball bearings

MODEL	# BLADES	BLADE SPACING	WIDTH	WEIGHT	LIST PRICE
1THE71618BF	16	7 1/2"	5'6"	659 lbs.	\$4499
1THE72018BF	20	7 1/2"	6'8"	732 lbs.	\$4899
1THE91618BF	16	9"	6'4"	718 lbs.	\$4699
1THE971818BF	18	9" Front 7 1/2" Rear	6'8"	736 lbs.	\$4799

#### OPTIONAL SCRAPER KITS

MODEL	FITS MODEL	WEIGHT	LIST PRICE
RSK716L	1THE716	65 lbs.	\$1059
RSK720L	1THE720	82 lbs.	\$1139
RSK916L	1THE916	72 lbs.	\$1079
RSK9718L	1THE9718	80 lbs.	\$1319

# OFFSET DISC "42" Series



- \* Includes 4" x 8" Hydraulic Cylinder with hydraulic hoses (less coupler plugs)
- \* Implement Tongue Jack, Safety Chain, SMV Sign
- \* Standard with Notched Disc Blades
- \* HP Requirements: 60-120 (Approx. 10 HP per Ft.)
- \* Tongue and yoke system for side draft
- \* Gang angles adjust by turnbuckles
- \* Triple sealed ball bearings in trunnion mount
- \* Dual wheels on all models includes 9.5L x 15 6 ply implement tires
- \* 24" and 26" disc blades - 1/4" thick
- \* Shock flex gang hangers for rocky soil conditions
- \* 6" x 4" heavy wall tube frame
- \* 1-1/2" RC square cold drawn axle
- \* Front and rear levelling system

### OPTIONAL EQUIPMENT

- \* Blade scrapers, Plain (Smooth) Blades, Regreasable Gang Bearings, Furrow Filler Kit (see page 143 OPTIONS)

## 9" SPACING

MODEL	BLADES	# OF BRGS	WIDTH	SHOCK FLEX WT. (LBS)	SHOCK FLEX LIST
42/91824SF	(18) 24"	8	6' 8"	3907	\$26,899
42/91826SF	(18) 26"	8	6' 8"	4038	\$29,399
42/92024SF	(20) 24"	8	7' 8"	4000	\$27,599
42/92026SF	(20) 26"	8	7' 8"	4166	\$30,399
42/92224SF	(22) 24"	8	8' 4"	4250	\$28,499
42/92226SF	(22) 26"	8	8' 4"	4396	\$31,399
42/92424SF	(24) 24"	8	9'	4540	\$29,199
42/92426SF	(24) 26"	8	9'	4672	\$32,299
42/92824SF	(28) 24"	12	10' 4"	4868	\$32,199
42/92826SF	(28) 26"	12	10' 4"	5047	\$35,599
42/93224SF	(32) 24"	12	12' 3"	5161	\$35,399
42/93226SF	(32) 26"	12	12' 3"	5344	\$38,999
42/93624SF	(36) 24"	14	13' 3"	5311	\$38,599
42/93626SF	(36) 26"	14	13' 3"	5655	\$42,599

# OFFSET DISC

## "42" Series




### 10-1/2" SPACING

MODEL	BLADES	NO. OF BRGS.	WIDTH OF CUT	SHOCK FLEX WGT. (LBS.)	SHOCK FLEX LIST
42/101824SF	(18) 24"	8	8'	4002	\$24,299
42/101826SF	(18) 26"	8	8'	4010	\$25,099
42/102024SF	(20) 24"	8	9'	4228	\$24,799
42/102026SF	(20) 26"	8	9'	4360	\$25,699
42/102224SF	(22) 24"	8	9' 10"	4394	\$25,599
42/102226SF	(22) 26"	8	9' 10"	4526	\$26,599
42/102424SF	(24) 24"	8	10' 6"	4649	\$26,799
42/102426SF	(24) 26"	8	10' 6"	4807	\$33,499
42/102824SF	(28) 24"	12	12'	5164	\$31,299
42/102826SF	(28) 26"	12	12'	5314	\$32,599
42/103224SF	(32) 24"	12	13' 9"	5278	\$32,199
42/103226SF	(32) 26"	12	13' 9"	5500	\$33,599

## 42 Series SCRAPER KITS

### 9" SPACING

MODEL	USED ON	WEIGHT (LBS.)	LIST PRICE
OSK42/918	42/918	276	\$2079
OSK42/920	42/920	294	\$2109
OSK42/922	42/922	325	\$2259
OSK42/924	42/924	359	\$2499
OSK42/928	42/928	460	\$2859
OSK42/932	42/932	527	\$3219
OSK42/936	42/936	580	\$3399

### 10-1/2" SPACING

MODEL	USED ON	WEIGHT (LBS.)	LIST PRICE
OSK42/1018	42/1018	277	\$1489
OSK42/1020	42/1020	303	\$1439
OSK42/1022	42/1022	330	\$1599
OSK42/1024	42/1024	352	\$2399
OSK42/1028	42/1028	410	\$2129
OSK42/1032	42/1032	527	\$2279

### 42 SERIES OPTIONS:

MODEL	DESCRIPTION	LIST PRICE
T703-1/2-20	Furrow Filler	\$339
13188	Additional charge for regreasable gang brgs. 1-1/2"	\$69

### TO PRICE AN OFFSET DISC MAKE SURE YOU HAVE PRICED:

1. Scraper kit (If Required)
2. Any applicable options from the option list
3. Remember your spacing - 9" or 10-1/2" available
4. Order blades plain, notched, or a combination

# TRACTOR CANOPIES JUNIOR

**BARE-Co**



B3580 Shown



B3581 Shown



The **BARE-Co** junior canopy is moulded from virtually indestructible flexible U.V. stabilized polyethylene. The canopy is 34" wide x 47" long and is designed moulded to hug modern hoop type ROPS frames. Available in standard colours, universal mounting kit to fit most types of ROPS frames, order extra.

MODEL	DESCRIPTION	WEIGHT	PRICE
B2581	White Canopy	20 lbs.	\$499
B2582	Green Canopy	20 lbs.	\$499
B2583	Orange Canopy	20 lbs.	\$499
B2584	Blue Canopy	20 lbs.	\$499
B2585	Red Canopy	20 lbs.	\$499
B2586	Yellow Canopy	20 lbs.	\$499
B3580	Mounting Kit Mounts canopy to HOOP, CURVED or SQUARE TOP Both rigid or folding up to 30" wide with leg thickness up to 3-3/16" x 2"	17 lbs.	\$189
B3581	Mounting Kit Mounts the canopy OVERWIDTH ROPS frames with a width of more than 30" wide, with a leg thickness from 2" x 2" to 2" x 4"	13 lbs.	\$169



# TRACTOR CANOPIES STANDARD

**BARE-Co**



B3600 Shown



B2565 Shown

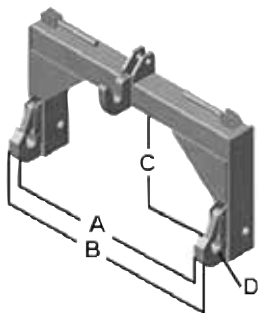
The **BARE-Co** standard canopy is moulded from virtually indestructible flexible U.V. stabilized polyethylene. The canopy is 45" wide x 60" long and is designed moulded to hug modern hoop type ROPS frames. Available in standard colours, universal mounting kit to fit most types of ROPS frames, order extra.

MODEL	DESCRIPTION	WEIGHT	PRICE
B2570	White Canopy	29 lbs.	\$649
B2571	Green Canopy	29 lbs.	\$649
B2572	Orange Canopy	29 lbs.	\$649
B2573	Blue Canopy	29 lbs.	\$649
B2580	Red Canopy	29 lbs.	\$649
B3600	Mounting Bracket Mounts the canopy to any folding or rigid hoop type ROPS frame up to 41-1/2" wide, with leg thickness up to 3-3/16" x 2"	17 lbs.	\$189
B2565	Mounting Bracket Mounts the canopy to overwidth ROPS frames, crossbar or leg width more than 41-1/2", leg thickness from 2" x 2" to 2" x 4"	13 lbs.	\$189
B4620	Mounting Bracket Mounts the canopy to ROPS frames up to 41-1/2" wide with leg thicknesses of 4" x 4", 5" x 2" or 6" x 2"	21 lbs.	\$239

# QUICK HITCHES



TAR RIVER quick hitches are built for fast, safe and easy connection and disconnection of 3 Pt. hitch implements. These quick hitches fit most CAT. I & II 3 Pt. Hitch tractors and implements.



QUICK HITCH SPECIFICATIONS			
MODEL	A	B	C
QH10178	27.25"	29.50"	14.50" - 17.25"
QH102	32.75"	36.25"	14.88"

- A Inside Hooks
- B Outside Hooks
- C Centerline Distance of lower pin to upper pin
- D Pocket sized for 1-7/16" pins or bushings

- \* Includes one set (pair) of adaptor bushings
- \* Has adjustable top link hooks

MODEL	DESCRIPTION	WEIGHT	LIST PRICE
QH10178	Cat. 1 (up to 50 HP)	62 lbs.	\$399
QH102	Cat. 2 (up to 100 HP)	101 lbs.	\$599

# WELD-ON ATTACHMENT BRACKETS



Easily convert your bucket or other attachments to be used on your skid steer or Euro/Global/Alo loader with a Weld-on plate.

MODEL	DESCRIPTION	PRICE
832540	"Universal" Skid Steer Quick Attach, 1/4" material plate 46 lbs	\$319



MODEL	DESCRIPTION	PRICE
832790	"Universal" HD Skid Steer Quick Attach, 3/8" material plate 96 lbs	\$549



MODEL	DESCRIPTION	PRICE
ALO1	Euro/Global/Alo Two (2) piece weld-on brackets 36 lbs	\$249

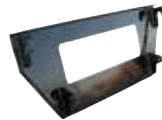


Left Hand



Right Hand

MODEL	DESCRIPTION	PRICE
832625	Euro/Global/Alo HD 5/16" material plate 95 lbs	\$739



MODEL	DESCRIPTION	PRICE
835060	John Deere 300/400 Series Loaders, Weld-on plate 70 lbs	\$509



MODEL	DESCRIPTION	PRICE
835065	John Deere 400 - 500 Series Loaders, Weld-on plate 83 lbs	\$499



# LOADER ADAPTOR BRACKETS



WORKSAVER elevates your tractor's productivity by converting it's loader (depending on make & model) to either "Universal" Skid Steer quick attach or the EURO/GLOBAL/ALO standard quick attach system. Worksaver adapter brackets feature all welded frames for durability, plated latch components for long service life.

## Euro/Global/Alo to Skid Steer

MODEL	DESCRIPTION	PRICE
832550	Interfaces with agricultural loaders that use the Euro/Global/Alo attaching system to allow the use of skid steer attachments, 110 lbs	\$1469



## Skid Steer to Euro/Global/Alo

MODEL	DESCRIPTION	PRICE
835020	Interfaces with skid steer or agricultural loaders that use the "Universal" skid steer attaching system Attachments that mount to Euro/Global/Alo tool carrier, 145 lbs	\$2199



## 3 Pt. Hitch to "Universal" Skid Steer

MODEL	DESCRIPTION	PRICE
835080	Allows mounting skid steer type attachments to their tractors Will fit both CAT I or II hitches, 145 lbs	\$1389



## Skid Steer CAT I, 3 Pt. Quick Hitch

MODEL	DESCRIPTION	PRICE
835095	Allows the operator to use CAT 1, 3 Pt hitch non PTO powered implements on a skid steer with "Universal" skid steer quick attach, 148 lbs	\$1389



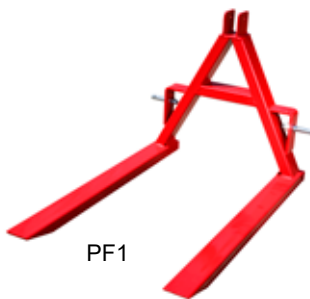
Worksaver has many more loader adapters available, for IH 2250 & 2255 loaders, Case IH L160/LX114/ LX116/LX118 series loaders, John Deere 48/58 series, 145/146/148/158 series, 240/245/260/265 series, 300/400/500 series, 600/700 series loaders, Kubota LA350/401/452/852/1251, 1301, 1601 series loaders, Massey Ferguson 232/236/238/246/832/838/848/938/948/1036/1048 series loaders, New Holland 21 09/7108/7109/7209/7210/7308/7309/7310/7410 series, 14LA/15LA/16LA/17LA/18LA series loaders. Check with your local dealer for pricing and availability on these and many more.

# TRAILER MOVER & PALLET FORKS



TM1

The trailer mover is designed to move empty trailers with the tractors Cat 1 3-Pt hitch. Trailer ball and receiver sold separately.



PF1

The 3 point hitch pallet forks are designed to carry 1200 lbs. These are a Cat. 1 hitch, and have 46" forks, on a 26" high frame.

## TRAILER MOVER

MODEL	DESCRIPTION	WEIGHT	LIST PRICE
TM1	Trailer mover	49 lbs.	\$469

## PALLET FORKS

MODEL	DESCRIPTION	WEIGHT	LIST PRICE
PF1	3 Pt hitch pallet fork	106 lbs.	\$559

Limited Availability for 2022

# HYDRAULIC TOP LINKS



TLC3110

## HYDRAULIC TOP LINK

MODEL	DESCRIPTION	WEIGHT	LIST PRICE
TLC2708	Cat. I, 2" bore x 8" stroke 1-1/8" dia. shaft	18 lbs.	\$459
TLC3110	Cat. II, 3" bore x 10" stroke 1-1/4" dia. shaft	26 lbs.	\$579

# ROTARY BROOMS

## 3 Pt. HITCH PTO



[Click for Video](#)

The WORKSAVER 3 Pt. hitch 540 RPM PTO Rotary Broom mounts to any tractor with 540 RPM PTO. Keep your tractor and sweeper busy all year sweeping snow, dirt, thatch, leaves and other debris. Sweeps forward and can wind-row debris, to the front, right or left. If you reverse broom rotation, pulling action cleans thatch with out damaging grass. Mechanical brush drive, with optional manual angle, 30 degrees right or left, or optional hydraulic angle available. Height adjustment chains maintains even operating position. 32" diameter broom is available in poly, or combo 50/50 poly/wire. A double gearbox drive is used for smooth power transmission and low maintenance. Top "T-Shaft" gearbox allows for easy reversal of brush rotation.

- \* **Cat. 1, 3 Pt. hitch**
- \* **540 RPM PTO**
- \* **Optional Manual or hydraulic angle**  
**30 degrees right or left**
- \* **Height adjustment chains**
- \* **32" diameter brush**
- \* **Available in Poly, or 50/50 Poly/Wire brush**
- \* **Double gearbox drive**
- \* **Top "T-Shaft" gearbox allows easy reversal of brush rotation**

MODEL	DESCRIPTION	WEIGHT (LBS.)	LIST PRICE
RMB325P	5' Wide rotary broom with poly brush	640 lbs.	\$11,359
RMB325PW	5' Wide rotary broom with poly/wire brush	640 lbs.	\$11,359
RMB326P	6' Wide rotary broom with poly brush	740 lbs.	\$11,899
RMB326PW	6' Wide rotary broom with poly/wire brush	740 lbs.	\$11,899
RMB327P	7' Wide rotary broom with poly brush	840 lbs.	\$12,899
RMB327PW	7' Wide rotary broom with poly/wire brush	840 lbs.	\$12,899

### OPTIONS:

MODEL	DESCRIPTION	LIST PRICE
610702	Manual Angle Kit	\$299
610703	Hydraulic Angle Kit with hoses	\$959

# ROTARY BROOMS SKID STEER MOUNT



[Click for Video](#)

The WORKSAVER skid steer hydraulically driven rotary broom fits any make and model of skid steer with universal skid steer quick attach mounting. Hydraulic motor rated @ 16GPM continuous operation for maximum brush speed. Optional manual or hydraulic angling kit available. All hydraulic hoses sheathed and routed through integral loops for maximum protection. Flat-faced "connect under pressure" hydraulic couplers standard

- \* **Universal skid steer quick attach mounting**
- \* **16 GPM hydraulic motor**
- \* **4.36 / 1 chain drive ratio to broom for excellent torque**
- \* **Heavy duty #60 drive roller chain**
- \* **Parking stands**
- \* **Step-through mount design for easy in/out of skid steer cab**
- \* **Greaseable pivot points for long life**
- \* **32" diameter poly or poly/wire brush**
- \* **Optional manual or hydraulic angle adjustment kit available**

MODEL	DESCRIPTION	WEIGHT	PRICE
SSMB325P	5'/60" Wide Rotary Broom with Poly Brush	720 lbs.	\$12,259
SSMB325PW	5'/60" Wide Rotary Broom with Poly/Wire Brush	714 lbs.	\$12,259
SSMB326P	6'/72" Wide Rotary Broom with Poly Brush	780 lbs.	\$12,999
SSMB326PW	6'/72" Wide Rotary Broom with Poly/Wire Brush	774 lbs.	\$12,999
SSMB327P	7'/84" Wide Rotary Broom with Poly Brush	840 lbs.	\$14,399
SSMB327PW	7'/84" Wide Rotary Broom with Poly/Wire Brush	833 lbs.	\$14,399

## OPTIONS:

	DESCRIPTION	LIST PRICE
610702	Manual Angle Adjustment Kit	\$299
610703	Hydraulic Angle Adjustment Kit inc'ds hyd. cylinder & hoses, less tips	\$959
610940	Hydraulic Angle Adjustment Kit with Electric Hydraulic Solenoid control. For skid steer rotary Brooms used on units equipped with only one set of remotes, inc'ds hyd. cylinder, hoses, valve, & flat faced couplers, Factory Installed	\$3029

# FARM-FLEET

**ST. MARYS, ONTARIO**

**23703 Wellburn Road**

**Tel: 519-461-1499 Fax: 519-461-1599**

**NEW GLASGOW, NOVA SCOTIA**

**Tel: 902-755-0858 Fax: 519-461-1599**



**Email: [sales@farmfleet.com](mailto:sales@farmfleet.com)**

**[www.farmfleet.com](http://www.farmfleet.com)**

**Your Local Farm-Fleet Dealer**